

- Performance hollow shaft encoder for heavy duty industries
- Hybrid bearings for extended lifetime
- High vibration and shock resistance
- Electrically insulated shaft; up to 2,5 kV



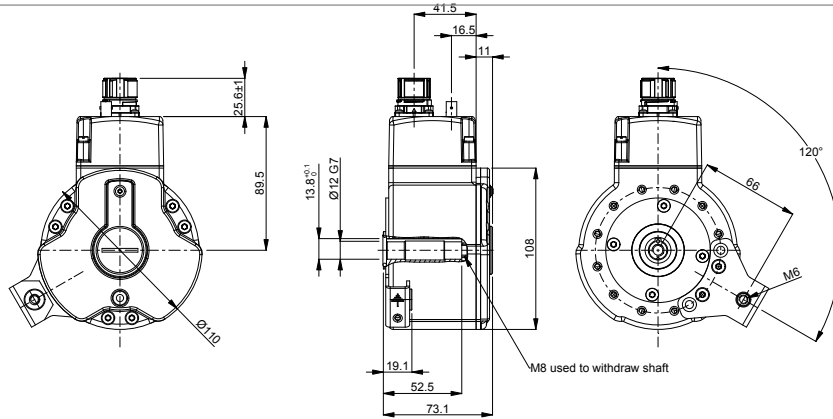
Technical data

Operating temperature	-40 °C .. +85 °C
Ingress protection class [IEC 60529]	IP67 (IP66 at shaft inlet)
Vibration [IEC 60068-2-6]	≤ 200 m/s ²
Shock [IEC 60068-2-27]	≤ 1500 m/s ²
Cover material	Aluminium (anodized)
Weight	1400 g
Shaft load (axial/radial)	100 N / 300 N
Rotational speed max	6000 rpm
Shaft material	Stainless steel with insulated hybrid bearings
Short circuit protected	No
Polarity protected	No
Current consumption	85 mA (Max. 100 mA)
Output load	120 Ω
Output frequency max	200 kHz
Cable length max	150 m at 90 pF (Fiber length max 2700m)
Channel separation	90° el ± 25° el
Dividing error	±50° el

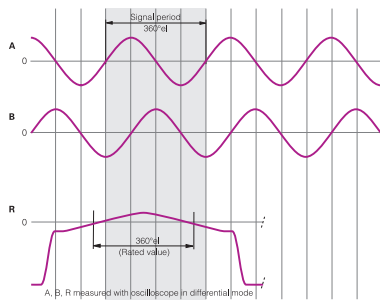
Encoder configuration

Type	XHI
Model	801 Extra robust
Shaft type	Ø12 mm hollow shaft with keyway
Flange type	86-flange
Resolution	1024
Power supply	5 Vdc
Output signal	1Vpp
Connection type	M23 connector 12-pin + Optolink
Connecting direction	Radial
Pin layout	CW
Overvoltage protection	Yes
Number of channels	6
Torque support	120 degrees torque bracket
Advanced Diagnostic System	Available upon request

Dimensions



Output signals



Pin configuration

Function	Pin
A	5
A inv	6
B	8
B inv	1
R	3
R inv	4
+EV	12
0V	10
STATUS	7
Housing	Chassis

Fiber optic ST	
Function	Pin
Transmitter	1

Ordering information

Part number 896290-01