



- Performance hollow shaft encoder for heavy duty industries
- Hybrid bearings for extended lifetime
- High vibration and shock resistance
- Electrically insulated shaft; up to 2,5 kV



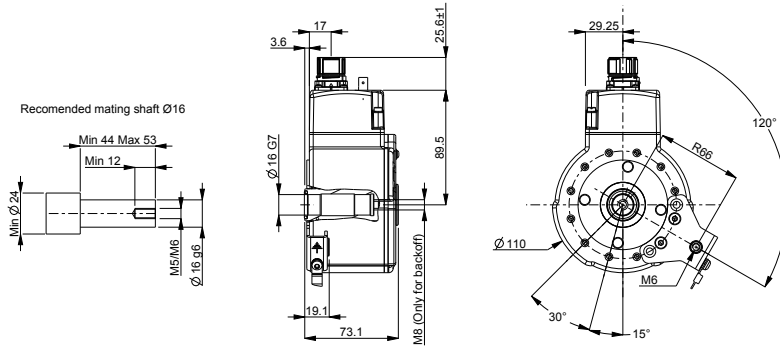
Technical data

Operating temperature	-40 °C .. +85 °C
Ingress protection class [IEC 60529]	IP67 (IP66 at shaft inlet)
Vibration [IEC 60068-2-6]	≤ 200 m/s ²
Shock [IEC 60068-2-27]	≤ 1500 m/s ²
Cover material	Aluminium (anodized)
Weight	1400 g
Shaft load (axial/radial)	100 N / 300 N
Rotational speed max	6000 rpm
Shaft material	Stainless steel with insulated hybrid bearings
Short circuit protected	No
Polarity protected	Yes
Current consumption	40 mA at 24 Vdc (Max. 60 mA)
Output load	120 Ω
Output frequency max	200 kHz
Cable length max	150 m at 90 pF (Fiber length max 2700m)
Channel separation	90° el ± 25° el
Dividing error	±50° el

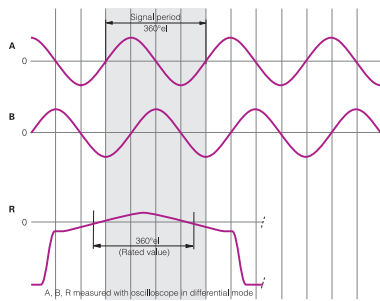
Encoder configuration

Type	XHI
Model	801 Extra robust
Shaft type	Ø16 mm blind hollow shaft
Flange type	86-flange
Resolution	1024
Power supply	9-30 Vdc
Output signal	1Vpp
Connection type	M23 connector 12-pin + Optolink
Connecting direction	Radial
Pin layout	CW
Overvoltage protection	Yes
Number of channels	6
Torque support	120 degrees torque bracket
Advanced Diagnostic System	Available upon request

Dimensions



Output signals



Pin configuration

Function	Pin
A	5
A inv	6
B	8
B inv	1
R	3
R inv	4
+EV	12
0V	10
STATUS	7
Housing	Chassis

Fiber optic ST	
Function	Pin
Transmitter	1

Ordering information

Part number 896285-01