

- Single turn resolution  $\leq 14$  bit
- Robust design
- Shock and vibration protected



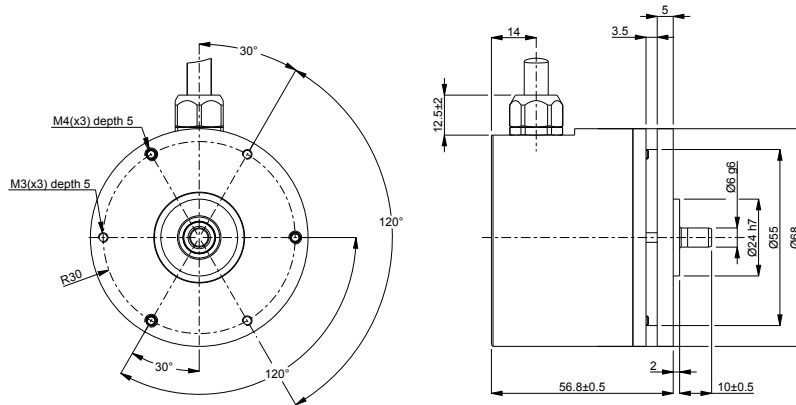
## Technical data

Operating temperature	-40 °C .. +80 °C
Ingress protection class [IEC 60529]	IP67/IP66 (Encoder body/Shaft inlet)
Current consumption	50 mA at 24 Vdc
Vibration [IEC 60068-2-6]	$\leq 300$ m/s <sup>2</sup>
Shock [IEC 60068-2-27]	$\leq 2000$ m/s <sup>2</sup>
Cover material	Aluminium
Weight	300 g
Shaft load (axial/radial)	50 N / 60 N
Shaft material	Stainless steel
Rotational speed max	6000 rpm
Polarity protected	Yes

## Encoder configuration

Type	RSA
Model	507 Singleturn
Shaft type	Ø6 mm round
Flange type	52-flange
Resolution	13 bit singleturn
Power supply	9-36 Vdc
Output signal	SSI Gray
Connection type	Cable
Connecting direction	Radial
Cable length	5.00 m

## Dimensions



## Output signals

## Pin configuration

Function	Color
Clock	Yellow
Clock inverted	Green
Data	White
Data inverted	Black
Hold	Brown
Code sequence	Violet
0 Volt	Blue
+E Volt	Red
Chassis	Shield

## Ordering information

Part number

895737-01