

- Performance hollow shaft encoder for heavy duty industries
- High vibration and shock resistance
- Electrically insulated shaft



## Technical data

Operating temperature	-20 °C .. +85 °C
Ingress protection class [IEC 60529]	IP67 (IP66 at shaft inlet)
Vibration [IEC 60068-2-6]	≤ 200 m/s <sup>2</sup>
Shock [IEC 60068-2-27]	≤ 1500 m/s <sup>2</sup>
Cover material	Aluminium (anodized)
Weight	1400 g
Shaft load (axial/radial)	50 N / 100 N
Rotational speed max	6000 rpm
Shaft material	Stainless steel with insulated peek insert
Short circuit protected	Yes
Polarity protected	Yes
Output load	± 40 mA
Output frequency max	200 kHz
Cable length max	350 m at 100 kHz
Channel separation	90° el ± 25° el
Dividing error	±50° el
Overvoltage protection	Available upon request

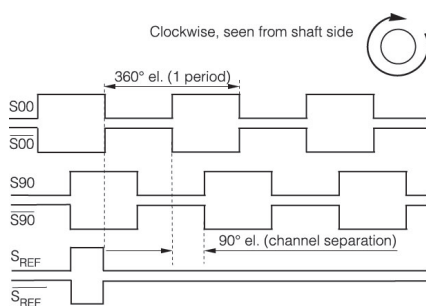
## Encoder configuration

Type	XHI
Model	803 Standard
Shaft type	Ø1 inch through-going hollow shaft
Flange type	87-flange
Resolution	1024
Power supply	9-30 Vdc
Output signal	HC-HTL
Connection type	Cable gland + ADS Online
Connecting direction	Adjustable
Cable gland dimension	M20 for Ø8-11 mm cables
Torque support	120 degrees torque bracket
Number of channels	6
Advanced Diagnostic System	ADS Online

## Dimensions

Drawing available upon request to Leine & Linde.

## Output signals



## Pin configuration

Function	Terminal
+E Volt	K
0 Volt	H
S00	F
S00 inverted	E
S90	D
S90 inverted	C
Sref	B
Sref inverted	A
Status green +	L
Status green -	M
Status red +	N
Status red -	O
Shield	G or Chassis
M12 connector (Ethernet)	
Tx +	1
Rx +	2
Tx -	3
Rx -	4

## Ordering information

Part number

894649-01