



- Performance hollow shaft encoder for heavy duty industries
- Hybrid bearings for extended lifetime
- High vibration and shock resistance
- Electrically insulated shaft; up to 2,5 kV



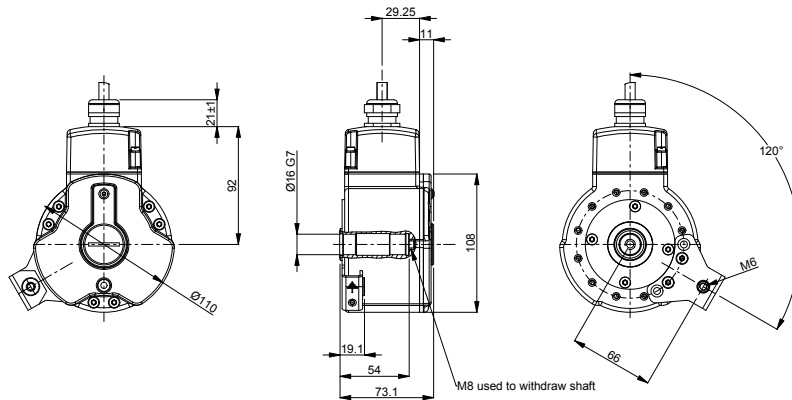
## Technical data

Operating temperature	-40 °C .. +100 °C
Ingress protection class [IEC 60529]	IP67 (IP66 at shaft inlet)
Vibration [IEC 60068-2-6]	≤ 200 m/s <sup>2</sup>
Shock [IEC 60068-2-27]	≤ 1500 m/s <sup>2</sup>
Cover material	Aluminium (anodized)
Weight	1400 g
Shaft load (axial/radial)	100 N / 300 N
Rotational speed max	6000 rpm
Shaft material	Stainless steel with insulated hybrid bearings
Short circuit protected	Yes
Polarity protected	Yes
Current consumption	60 mA at 24 Vdc (Max. 80 mA)
Output load	± 40 mA
Output frequency max	200 kHz
Cable length max	100 m at 100 kHz
Channel separation	90° el ± 25° el
Dividing error	±50° el

## Encoder configuration

Type	XHI
Model	801 Extra robust
Shaft type	Ø16 mm blind hollow shaft
Flange type	86-flange
Resolution	200
Power supply	9-30 Vdc
Output signal	HTL
Connection type	Cable
Connecting direction	Radial
Cable length	1.50 m
Cable gland dimension	M20 for Ø8-11 mm cables
Overvoltage protection	Available upon request
Number of channels	6
Torque support	120 degrees torque bracket
Advanced Diagnostic System	Available upon request

## Dimensions



## Output signals



## Pin configuration

Function	Pin
S90	Green
S90 inverted	White
S00	Yellow
+E Volt	Red
0 Volt	Blue
Sref	Brown
Sref inverted	Violet
Status	Grey
Chassis	Shield

## Ordering information

Part number 870330-01