

- 58mm diameter
- Extremely robust design
- Shock and vibration protected
- Inductive scanning
- Stainless steel EN 1.4404/AISI 316L

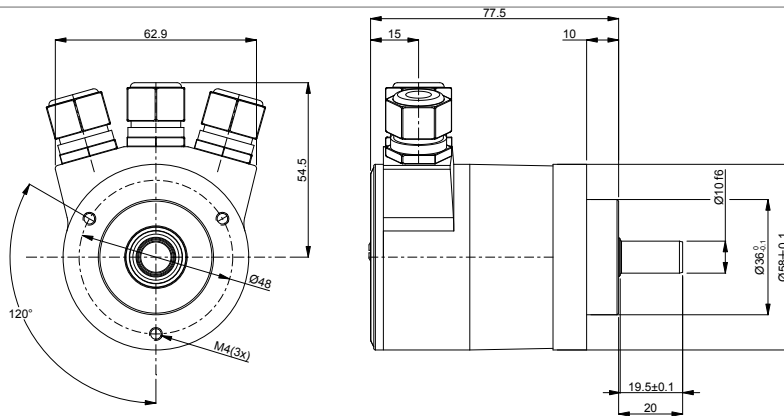


## Technical data

Operating temperature	-40 °C .. +70 °C
Ingress protection class [IEC 60529]	IP67
Current consumption	95 mA at 24 Vdc
Vibration [IEC 60068-2-6]	≤ 300 m/s <sup>2</sup>
Shock [IEC 60068-2-27]	≤ 2000 m/s <sup>2</sup>
Cover material	Stainless steel 1.4404
Weight	750 g
Shaft load (axial/radial)	100 / 125 N
Shaft material	Stainless steel 1.4404
Rotational speed max	12000 rpm
Polarity protected	Yes

## Encoder configuration

Type	ISA
Model	638 Multiturn Stainless steel
Shaft type	Ø10 mm round
Flange type	Clamping flange (61sp-type)
Resolution	25 bit (13 bit singleturn + 12 bit multiturn)
Power supply	9-36 Vdc
Output signal	PROFIBUS DP
Connection type	Cable gland
Connecting direction	Radial

**Dimensions****Output signals****Pin configuration**

Function	Terminal
+E Volt	+
0 Volt	-
B** (Bus in)	B
A* (Bus in)	A
B** (Bus out)	B
A* (Bus out)	A

\*A terminals are connected  
\*\*B terminals are connected

**Ordering information**

Part number

827376-02