

- Performance hollow shaft encoder for heavy duty industries
- Hybrid bearings for extended lifetime
- High vibration and shock resistance
- Electrically insulated shaft; up to 2,5 kV



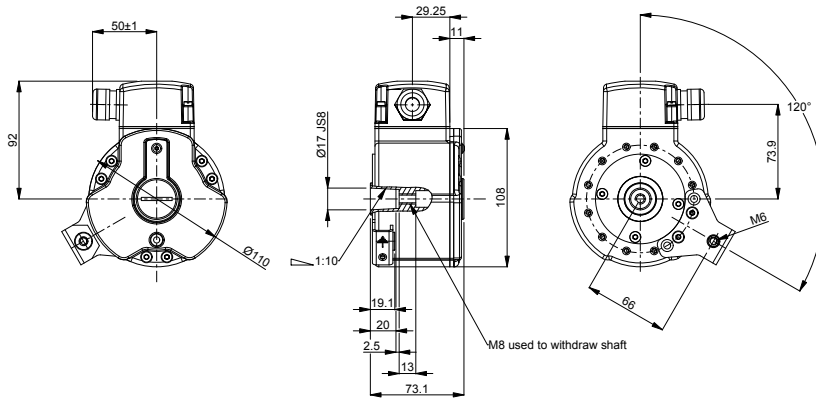
## Technical data

|                                      |  |
|--------------------------------------|--|
| Operating temperature                | -40 °C .. +85 °C                               |
| Ingress protection class [IEC 60529] | IP67 (IP66 at shaft inlet)                     |
| Vibration [IEC 60068-2-6]            | ≤ 200 m/s <sup>2</sup>                         |
| Shock [IEC 60068-2-27]               | ≤ 1500 m/s <sup>2</sup>                        |
| Cover material                       | Aluminium (anodized)                           |
| Weight                               | 1400 g   |
| Shaft load (axial/radial)            | 100 N / 300 N                                  |
| Rotational speed max                 | 6000 rpm                                       |
| Shaft material                       | Stainless steel with insulated hybrid bearings |
| Short circuit protected              | Yes  |
| Polarity protected                   | Yes  |
| Current consumption                  | 60 mA at 24 Vdc (Max. 80 mA)                   |
| Output load                          | ± 40 mA  |
| Output frequency max                 | 200 kHz  |
| Cable length max                     | 100 m at 100 kHz                               |
| Channel separation                   | 90° el ± 25° el                                |
| Dividing error                       | ±50° el  |

## Encoder configuration

|                            |                            |
|----------------------------|----------------------------|
| Type                       | XHI                        |
| Model                      | 801 Extra robust           |
| Shaft type                 | Ø17 mm taper hollow shaft  |
| Flange type                | 86-flange                  |
| Resolution                 | 1024                       |
| Power supply               | 9-30 Vdc                   |
| Output signal              | HTL                        |
| Connection type            | Cable gland                |
| Connecting direction       | Adjustable                 |
| Cable gland dimension      | M20 for Ø8-11 mm cables    |
| Overvoltage protection     | Available upon request     |
| Number of channels         | 6                          |
| Torque support             | 120 degrees torque bracket |
| Advanced Diagnostic System | ADS Classic                |

## Dimensions



## Output signals



## Pin configuration

| Function | Pin     |
|----------|---------|
| +E Volt  | K       |
| 0 Volt   | H       |
| Sref     | B       |
| Sref\    | A       |
| S90      | D       |
| S90\     | C       |
| S00      | F       |
| S00\     | E       |
| Alarm+   | L       |
| Alarm-   | M       |
| RXD      | N       |
| TXD      | O       |
| Chassis  | G       |
| Shield   | Chassis |

## Ordering information

Part number 827101-01