

- Single turn resolution ≤ 10 bit
- Robust design
- Shock and vibration protected

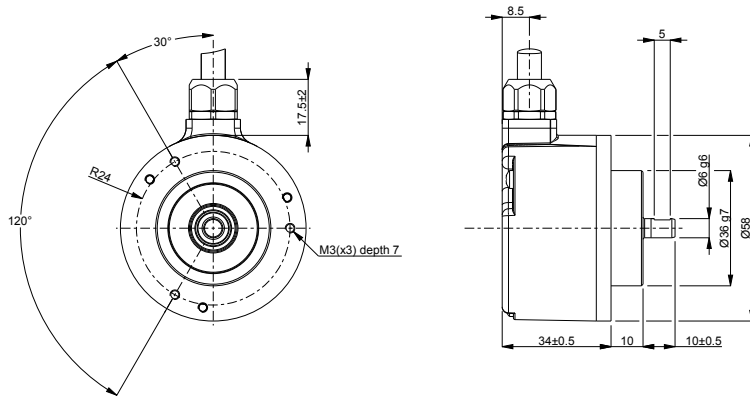


Technical data

Operating temperature	-40 °C .. +80 °C
Ingress protection class [IEC 60529]	IP67/IP66 (Encoder body/Shaft inlet)
Current consumption	40 mA at 24 Vdc
Vibration [IEC 60068-2-6]	≤ 300 m/s ²
Shock [IEC 60068-2-27]	≤ 2000 m/s ²
Cover material	Aluminium
Weight	300 g
Shaft load (axial/radial)	50 N / 60 N
Shaft material	Stainless steel
Rotational speed max	6000 rpm
Polarity protected	Yes

Encoder configuration

Type	RSA
Model	506 Singleturn
Shaft type	Ø6 mm with partial flat
Flange type	Clamping flange (61-type)
Resolution	10 bit singleturn
Power supply	9-36 Vdc
Output signal	Analogue 4-20 mA
Connection type	Cable
Connecting direction	Radial
Cable length	15.00 m
Active angle	360.0

Dimensions**Output signals****Pin configuration**

Function	Colour
+E V	Red
0 Volt	Blue
I out	Green
Preset	White
Code sequence	Black
Chassis	Shield

Ordering information

Part number

825721-01