



- Performance hollow shaft encoder for heavy duty industries
- Hybrid bearings for extended lifetime
- High vibration and shock resistance
- Electrically insulated shaft; up to 2,5 kV



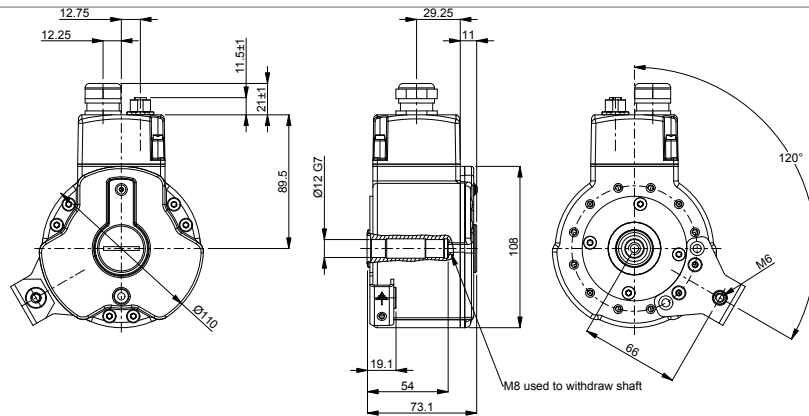
Technical data

Operating temperature	-40 °C .. +85 °C
Ingress protection class [IEC 60529]	IP67 (IP66 at shaft inlet)
Vibration [IEC 60068-2-6]	≤ 200 m/s ²
Shock [IEC 60068-2-27]	≤ 1500 m/s ²
Cover material	Aluminium (anodized)
Weight	1400 g
Shaft load (axial/radial)	100 N / 300 N
Rotational speed max	6000 rpm
Shaft material	Stainless steel with insulated hybrid bearings
Short circuit protected	Yes
Polarity protected	Yes
Output load	± 40 mA
Output frequency max	200 kHz
Cable length max	350 m at 100 kHz
Channel separation	90° el ± 25° el
Dividing error	±50° el

Encoder configuration

Type	XHI
Model	801 Extra robust
Shaft type	Ø12 mm blind hollow shaft
Flange type	86-flange
Resolution	2048
Power supply	9-30 Vdc
Output signal	HC-HTL
Connection type	Cable + ADS Online
Connecting direction	Radial
Cable gland dimension	M20 for Ø8-11 mm cables
Number of channels	6
Overvoltage protection	Available upon request
Torque support	120 degrees torque bracket
Advanced Diagnostic System	ADS Online

Dimensions



Output signals



Pin configuration

Function	Colour
+EV	Red
0V	Blue
Sref	Brown
Sref inv	Violet
S90	Green
S90 inv	White
S00	Yellow
S00 inv	Black
Status green +	Grey/Pink
Status green -	Red/Blue
Status red +	Grey
Status red -	Pink
Housing	Shield
M12 Connector	
Tx+	1
Rx+	2
Tx-	3
Rx-	4

Ordering information

Part number

824117-02