

- Single turn resolution  $\leq 10$  bit
- Robust design
- Shock and vibration protected

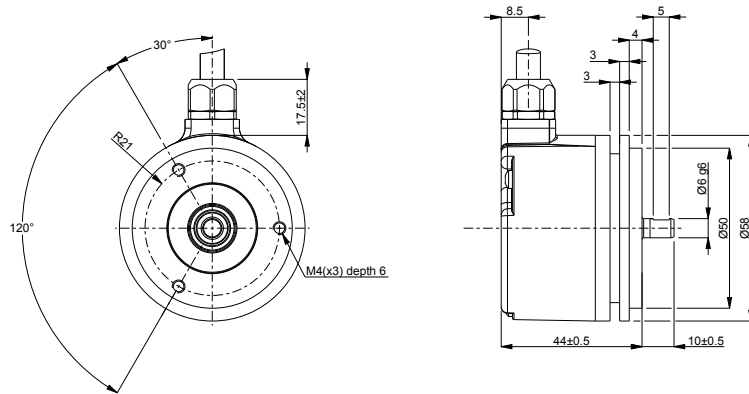


## Technical data

|                                      |                                      |
|--------------------------------------|--------------------------------------|
| Operating temperature                | -40 °C .. +80 °C                     |
| Ingress protection class [IEC 60529] | IP67/IP66 (Encoder body/Shaft inlet) |
| Current consumption                  | 40 mA at 24 Vdc                      |
| Vibration [IEC 60068-2-6]            | $\leq 300$ m/s <sup>2</sup>          |
| Shock [IEC 60068-2-27]               | $\leq 2000$ m/s <sup>2</sup>         |
| Cover material                       | Aluminium                            |
| Weight                               | 300 g                                |
| Shaft load (axial/radial)            | 50 N / 60 N                          |
| Shaft material                       | Stainless steel                      |
| Rotational speed max                 | 6000 rpm                             |
| Polarity protected                   | Yes                                  |

## Encoder configuration

|                      |                          |
|----------------------|--------------------------|
| Type                 | RSA                      |
| Model                | 506 Singleturn           |
| Shaft type           | Ø6 mm with partial flat  |
| Flange type          | Synchro flange (63-type) |
| Resolution           | 10 bit singleturn        |
| Power supply         | 9-36 Vdc                 |
| Output signal        | Parallel Gray            |
| Connection type      | Cable                    |
| Connecting direction | Radial                   |
| Cable length         | 5.00 m                   |

**Dimensions****Output signals****Pin configuration**

| Function      | Colour       |
|---------------|--------------|
| +E Volt       | Red          |
| 0 Volt        | Blue         |
| Bit 1         | White        |
| Bit 2         | Brown        |
| Bit 3         | Green        |
| Bit 4         | Yellow       |
| Bit 5         | Grey         |
| Bit 6         | Pink         |
| Bit 7         | Black        |
| Bit 8         | Violet       |
| Bit 9         | Grey/Pink    |
| Bit 10        | Blue/Red     |
| Code sequence | White/Yellow |
| /Hold         | Brown/Yellow |
| Chassis       | Shield       |

**Ordering information**

Part number

822509-01