

- Single turn resolution ≤ 10 bit
- Robust design
- Shock and vibration protected

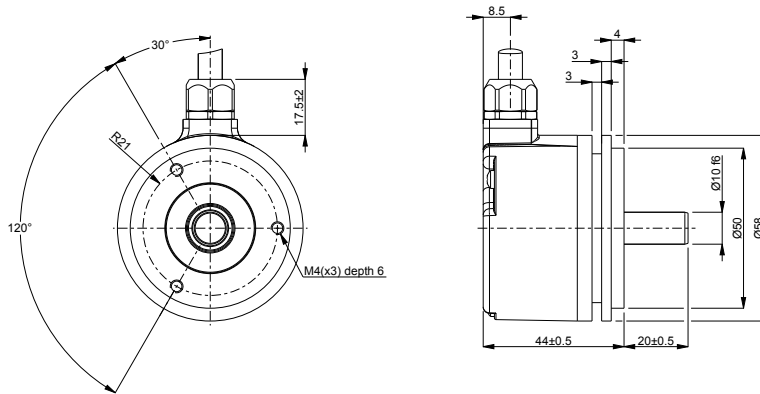


Technical data

Operating temperature	-40 °C .. +80 °C
Ingress protection class [IEC 60529]	IP67/IP66 (Encoder body/Shaft inlet)
Current consumption	40 mA at 24 Vdc
Vibration [IEC 60068-2-6]	≤ 300 m/s ²
Shock [IEC 60068-2-27]	≤ 2000 m/s ²
Cover material	Aluminium
Weight	300 g
Shaft load (axial/radial)	50 N / 60 N
Shaft material	Stainless steel
Rotational speed max	6000 rpm
Polarity protected	Yes

Encoder configuration

Type	RSA
Model	506 Singleturn
Shaft type	Ø10 mm round
Flange type	Synchro flange (63-type)
Resolution	10 bit singleturn
Power supply	9-36 Vdc
Output signal	Analogue 4-20 mA (Teach in)
Connection type	Cable
Connecting direction	Radial
Cable length	1.50 m
Active angle	360.0

Dimensions**Output signals****Pin configuration**

Function	Colour
+E Volt	Red
0 Volt	Blue
I out	Green
Preset	White
Teach-In	Black
Chassis	Shield

Ordering information

Part number

815341-01