

- Performance hollow shaft encoder for heavy duty industries
- Hybrid bearings for extended lifetime
- High vibration and shock resistance
- Electrically insulated shaft; up to 2,5 kV



Technical data

| | |
|--------------------------------------|--|
| Operating temperature | -40 °C .. +100 °C |
| Ingress protection class [IEC 60529] | IP67 (IP66 at shaft inlet) |
| Vibration [IEC 60068-2-6] | ≤ 200 m/s ² |
| Shock [IEC 60068-2-27] | ≤ 1500 m/s ² |
| Cover material | Aluminium (anodized) |
| Weight | 1400 g |
| Shaft load (axial/radial) | 100 N / 300 N |
| Rotational speed max | 6000 rpm |
| Shaft material | Stainless steel with insulated hybrid bearings |
| Short circuit protected | Yes |
| Polarity protected | Yes |
| Current consumption | 60 mA at 24 Vdc (Max. 80 mA) |
| Output load | ± 40 mA |
| Output frequency max | 200 kHz |
| Cable length max | 100 m at 100 kHz |
| Channel separation | 90° el ± 25° el |
| Dividing error | ±50° el |

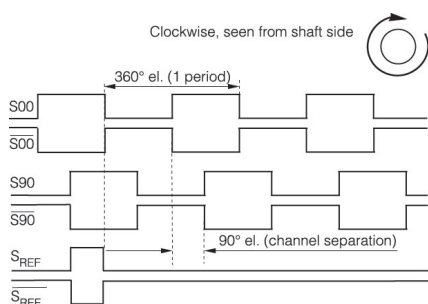
Encoder configuration

| | |
|----------------------------|----------------------------|
| Type | XHI |
| Model | 801 Extra robust |
| Shaft type | Ø12 mm blind hollow shaft |
| Flange type | 86-flange |
| Resolution | 2048 |
| Power supply | 9-30 Vdc |
| Output signal | HTL |
| Connection type | Cable gland |
| Connecting direction | Radial |
| Cable gland dimension | M20 for Ø8-11 mm cables |
| Overvoltage protection | Available upon request |
| Number of channels | 6 |
| Torque support | 120 degrees torque bracket |
| Advanced Diagnostic System | Available upon request |

Dimensions

Drawing available upon request to Leine & Linde.

Output signals



Pin configuration

| Function | Terminal |
|---------------|-----------|
| +E Volt | K |
| 0 Volt | H |
| Sref | B |
| Sref inverted | A |
| S90 | D |
| S90 inverted | C |
| S00 | F |
| S00 inverted | E |
| Status | L |
| Shield | Case or G |

Ordering information

Part number

815334-01