

- 58mm diameter
- Robust design
- Shock and vibration protected

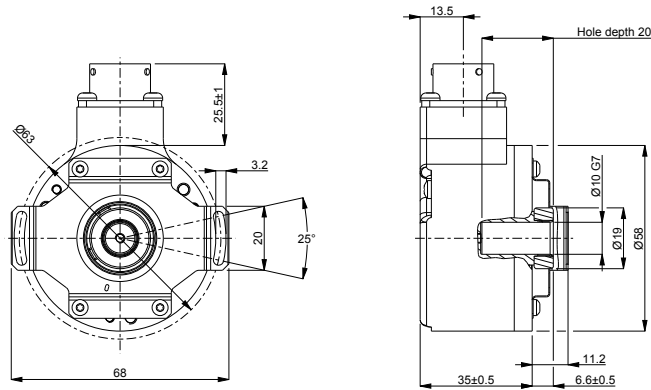


Technical data

| | |
|--------------------------------------|--------------------------------------|
| Operating temperature | -40 °C .. +80 °C |
| Ingress protection class [IEC 60529] | IP67/IP66 (Encoder body/Shaft inlet) |
| Current consumption | 100 mA |
| Vibration [IEC 60068-2-6] | ≤ 300 m/s ² |
| Shock [IEC 60068-2-27] | ≤ 2000 m/s ² |
| Cover material | Aluminium |
| Weight | 300 g |
| Shaft load (axial/radial) | 10 N / 20 N |
| Shaft material | Stainless steel |
| Rotational speed max | 6000 rpm |
| Polarity protected | No |

Encoder configuration

| | |
|----------------------|-----------------------------------|
| Type | RHA |
| Model | 507 Singleturn |
| Shaft type | Ø10 mm blind hollow shaft |
| Flange type | 58/59-flange with stator coupling |
| Resolution | 13 bit singleturn |
| Power supply | 5 Vdc |
| Output signal | SSI Gray |
| Connection type | PT connector 8-pin |
| Connecting direction | Radial |

Dimensions**Output signals****Pin configuration**

| Function | Pin |
|----------------|-----|
| Clock | A |
| Clock inverted | B |
| Data | C |
| Data inverted | D |
| Hold | G |
| Code sequence | H |
| 0 Volt | F |
| +E Volt | E |

Ordering information

Part number

812181-01