

- Robust encoder in compact design
- Total build length 55 mm
- Through-going hollow shaft with insulated peek insert



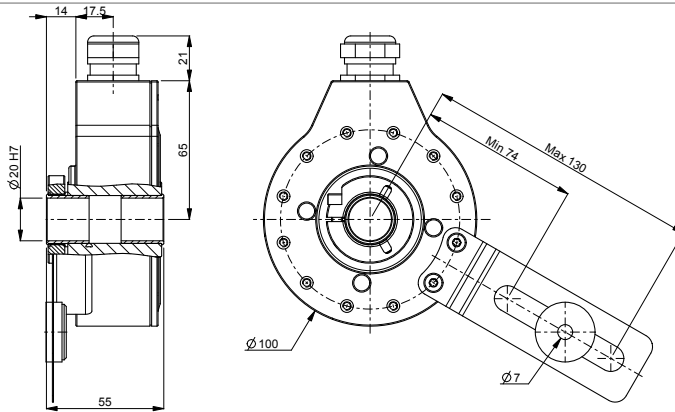
Technical data

Operating temperature	-40 °C .. +100 °C
Ingress protection class [IEC 60529]	IP67 (IP66 at shaft inlet)
Vibration [IEC 60068-2-6]	≤ 200 m/s ²
Shock [IEC 60068-2-27]	≤ 1500 m/s ²
Cover material	Aluminium (anodized)
Weight	1000 g
Shaft load (axial/radial)	50 N / 100 N
Rotational speed max	6000 rpm
Shaft material	Stainless steel with insulated peek insert
Short circuit protected	No
Polarity protected	No
Current consumption	85 mA (Max. 100 mA)
Output load	120 Ω
Output frequency max	200 kHz
Cable length max	150 m at 90 pF
Channel separation	90° el ± 25° el
Dividing error	±50° el

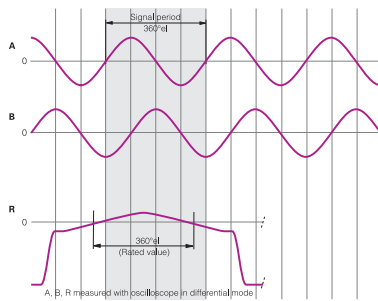
Encoder configuration

Type	CHI
Model	703
Shaft type	Ø20 mm through-going hollow shaft
Flange type	87-flange
Resolution	1024
Power supply	5 Vdc
Output signal	1Vpp
Connection type	Cable
Connecting direction	Radial
Cable length	1.50 m
Torque support	Tether arm with insulated peek insert

Dimensions



Output signals



Pin configuration

Please consult encoder label

Ordering information

Part number

809763-01