



- Robust encoder in compact design
- Total build length 55 mm
- Through-going hollow shaft with insulated peek insert



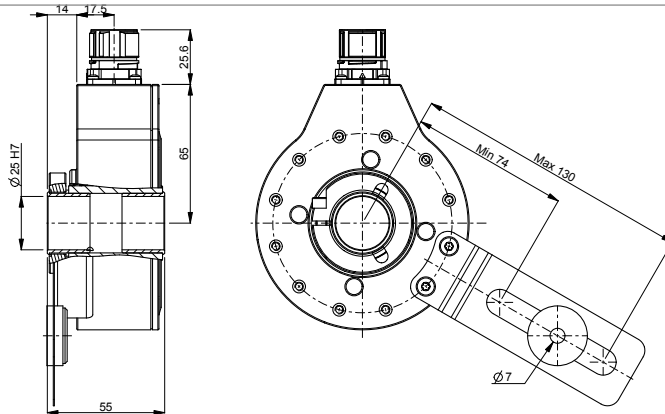
Technical data

| | |
|--------------------------------------|--|
| Operating temperature | -40 °C .. +85 °C |
| Ingress protection class [IEC 60529] | IP67 (IP66 at shaft inlet) |
| Vibration [IEC 60068-2-6] | ≤ 200 m/s ² |
| Shock [IEC 60068-2-27] | ≤ 1500 m/s ² |
| Cover material | Aluminium (anodized) |
| Weight | 1000 g |
| Shaft load (axial/radial) | 50 N / 100 N |
| Rotational speed max | 6000 rpm |
| Shaft material | Stainless steel with insulated peek insert |
| Short circuit protected | Yes |
| Polarity protected | Yes |
| Current consumption | 60 mA at 24 Vdc (Max. 80 mA) |
| Output load | ± 40 mA |
| Output frequency max | 200 kHz |
| Cable length max | 350 m at 100 kHz |
| Channel separation | 90° el ± 45° el |
| Dividing error | ±50° el |

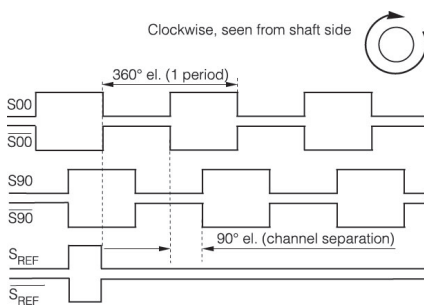
Encoder configuration

| | |
|----------------------|---------------------------------------|
| Type | CHI |
| Model | 703 |
| Shaft type | Ø25 mm through-going hollow shaft |
| Flange type | 87-flange |
| Resolution | 8192 |
| Power supply | 9-30 Vdc |
| Output signal | HC-HTL |
| Connection type | M23 connector 12-pin |
| Connecting direction | Radial |
| Pin layout | CCW |
| Torque support | Tether arm with insulated peek insert |

Dimensions



Output signals



Pin configuration

| Function | Pin |
|---------------|-----|
| S90 inverted | 1 |
| Not used | 2 |
| Sref | 3 |
| Sref inverted | 4 |
| S00 | 5 |
| S00 inverted | 6 |
| Status | 7 |
| S90 | 8 |
| Not used | 9 |
| 0V | 10 |
| Not used | 11 |
| +EV | 12 |

Ordering information

Part number

809759-01