

- 58mm diameter
- Extremely robust design
- Shock and vibration protected
- Inductive scanning

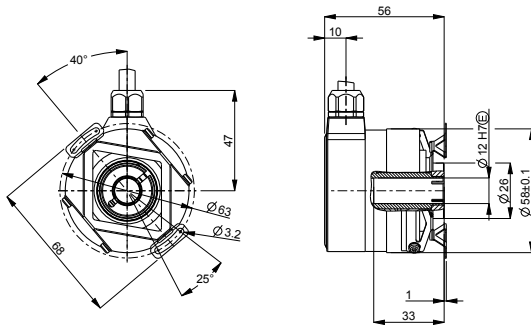


Technical data

| | |
|--------------------------------------|-------------------------|
| Operating temperature | -40 °C .. +100 °C |
| Ingress protection class [IEC 60529] | IP67 |
| Current consumption | 30 mA at 24 Vdc |
| Vibration [IEC 60068-2-6] | ≤ 300 m/s ² |
| Shock [IEC 60068-2-27] | ≤ 2000 m/s ² |
| Cover material | Aluminium (anodized) |
| Weight | 320 g |
| Shaft load (axial/radial) | 100 / 140 N |
| Shaft material | Stainless steel |
| Rotational speed max | 12000 rpm |
| Polarity protected | Yes |

Encoder configuration

| | |
|----------------------|---|
| Type | IHA |
| Model | 608 Multiturn |
| Shaft type | Ø12 mm blind hollow shaft |
| Flange type | 58/59-flange with stator coupling |
| Resolution | 25 bit (13 bit singleturn + 12 bit multiturn) |
| Power supply | 9-30 Vdc |
| Output signal | SSI Gray |
| Connection type | Cable |
| Connecting direction | Radial |
| Cable length | 1.50 m |

Dimensions**Output signals****Pin configuration**

| Function | Colour |
|----------------|--------|
| +E Volt | Red |
| 0 Volt | Blue |
| Clock | Yellow |
| Clock inverted | Black |
| Data | White |
| Data inverted | Green |
| Zero set | Brown |
| Code sequence | Violet |
| +E Volt sense | Grey |
| 0 Volt sense | Pink |

Ordering information

Part number

809710-01