



- 58mm diameter
- Extremely robust design
- Shock and vibration protected
- Inductive scanning



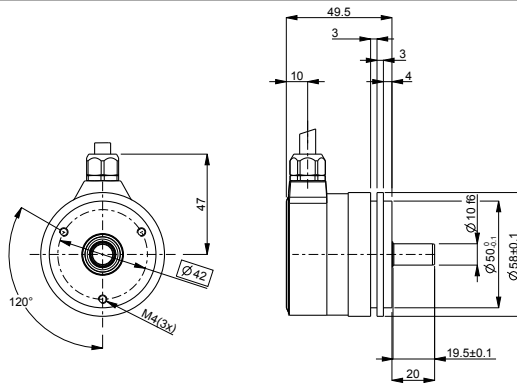
## Technical data

Operating temperature	-40 °C .. +100 °C
Ingress protection class [IEC 60529]	IP67
Current consumption	30 mA at 24 Vdc
Vibration [IEC 60068-2-6]	≤ 300 m/s <sup>2</sup>
Shock [IEC 60068-2-27]	≤ 2000 m/s <sup>2</sup>
Cover material	Aluminium (anodized)
Weight	340 g
Shaft load (axial/radial)	100 / 125 N
Shaft material	Stainless steel
Rotational speed max	12000 rpm
Polarity protected	Yes

## Encoder configuration

Type	ISA
Model	608 Multiturn
Shaft type	Ø10 mm round
Flange type	Synchro flange (63-type)
Resolution	25 bit (13 bit singleturn + 12 bit multiturn)
Power supply	9-30 Vdc
Output signal	SSI Gray
Connection type	Cable
Connecting direction	Radial
Cable length	1.50 m

## Dimensions



## Output signals

## Pin configuration

Function	Colour
+E Volt	Red
0 Volt	Blue
Clock	Yellow
Clock inverted	Black
Data	White
Data inverted	Green
Zero set	Brown
Code sequence	Violet
+E Volt sense	Grey
0 Volt sense	Pink

## Ordering information

Part number

809709-01