



- Robust encoder in compact design
- Total build length 55 mm
- Through-going hollow shaft with insulated peek insert



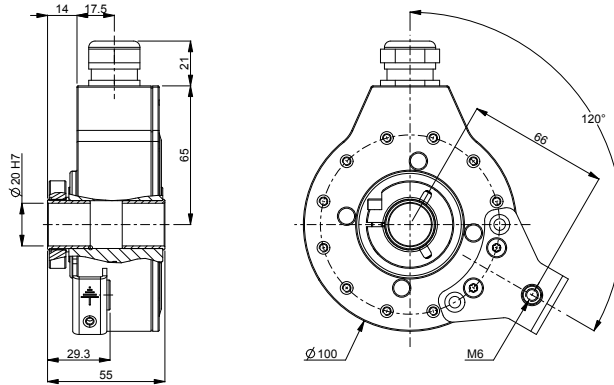
## Technical data

|                                      |  |
|--------------------------------------|--|
| Operating temperature                | -40 °C .. +100 °C                          |
| Ingress protection class [IEC 60529] | IP67 (IP66 at shaft inlet)                 |
| Vibration [IEC 60068-2-6]            | ≤ 200 m/s <sup>2</sup>                     |
| Shock [IEC 60068-2-27]               | ≤ 1500 m/s <sup>2</sup>                    |
| Cover material                       | Aluminium (anodized)                       |
| Weight                               | 1000 g                                     |
| Shaft load (axial/radial)            | 50 N / 100 N                               |
| Rotational speed max                 | 6000 rpm                                   |
| Shaft material                       | Stainless steel with insulated peek insert |
| Short circuit protected              | No   |
| Polarity protected                   | No   |
| Current consumption                  | 85 mA (Max. 100 mA)                        |
| Output load                          | 120 Ω                                      |
| Output frequency max                 | 200 kHz                                    |
| Cable length max                     | 150 m at 90 pF                             |
| Channel separation                   | 90° el ± 25° el                            |
| Dividing error                       | ±50° el                                    |

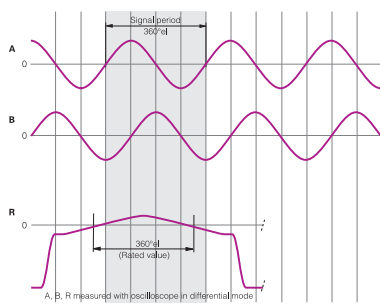
## Encoder configuration

|                      |                                   |
|----------------------|-----------------------------------|
| Type                 | CHI                               |
| Model                | 703                               |
| Shaft type           | Ø20 mm through-going hollow shaft |
| Flange type          | 87-flange                         |
| Resolution           | 1024                              |
| Power supply         | 5 Vdc                             |
| Output signal        | 1Vpp                              |
| Connection type      | Cable                             |
| Connecting direction | Radial                            |
| Cable length         | 1.50 m                            |
| Torque support       | 120 degrees torque bracket        |

## Dimensions



## Output signals



## Pin configuration

Please consult encoder label

## Ordering information

Part number

809669-01