



- 58mm diameter
- Extremely robust design
- Shock and vibration protected
- Inductive scanning

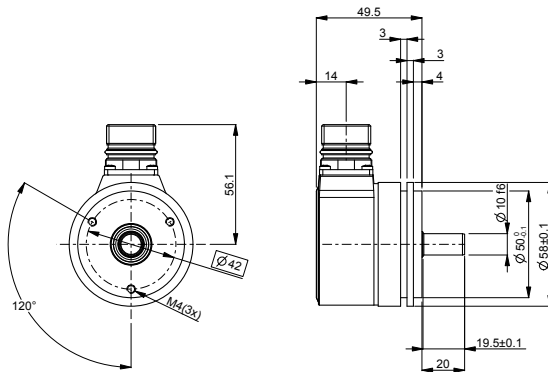


Technical data

| | |
|--------------------------------------|-------------------------|
| Operating temperature | -40 °C .. +100 °C |
| Ingress protection class [IEC 60529] | IP67 |
| Current consumption | 30 mA at 24 Vdc |
| Vibration [IEC 60068-2-6] | ≤ 300 m/s ² |
| Shock [IEC 60068-2-27] | ≤ 2000 m/s ² |
| Cover material | Aluminium (anodized) |
| Weight | 340 g |
| Shaft load (axial/radial) | 100 / 125 N |
| Shaft material | Stainless steel |
| Rotational speed max | 12000 rpm |
| Polarity protected | Yes |

Encoder configuration

| | |
|----------------------|---|
| Type | ISA |
| Model | 608 Multiturn |
| Shaft type | Ø10 mm round |
| Flange type | Synchro flange (63-type) |
| Resolution | 25 bit (13 bit singleturn + 12 bit multiturn) |
| Power supply | 9-30 Vdc |
| Output signal | SSI Gray |
| Incremental signal | 32 ppr 1Vpp |
| Connection type | M23 connector 17-pin |
| Connecting direction | Radial |

Dimensions**Output signals****Pin configuration**

| Function | Pin / Colour |
|----------------|-------------------|
| 0 Volt | 10 / White-Green |
| 0V sense | 4 / White |
| +E Volt | 7 / Brown-Green |
| +EV sense | 1 / Blue |
| A | 15 / Green-Black |
| A inverted | 16 / Yellow-Black |
| B | 12 / Blue-Black |
| B inverted | 13 / Red-Black |
| Data | 14 / Grey |
| Data inverted | 17 / Pink |
| Clock | 8 / Violet |
| Clock inverted | 9 / Yellow |
| Code sequence | 2 / Black |
| Zeroset | 5 / Green |

Ordering information

Part number

809643-01