

- 58mm diameter
- Robust design
- Shock and vibration protected

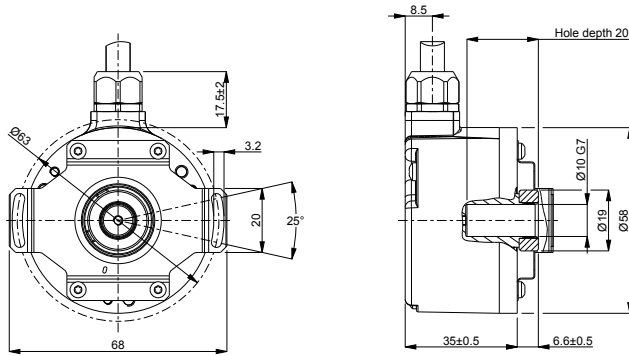


## Technical data

Operating temperature	-40 °C .. +80 °C
Ingress protection class [IEC 60529]	IP67/IP66 (Encoder body/Shaft inlet)
Current consumption	50 mA at 24 Vdc
Vibration [IEC 60068-2-6]	≤ 300 m/s <sup>2</sup>
Shock [IEC 60068-2-27]	≤ 2000 m/s <sup>2</sup>
Cover material	Aluminium
Weight	300 g
Shaft load (axial/radial)	10 N / 20 N
Shaft material	Stainless steel
Rotational speed max	6000 rpm
Polarity protected	Yes

## Encoder configuration

Type	RHA
Model	507 Singleturn
Shaft type	Ø10 mm blind hollow shaft
Flange type	58/59-flange with stator coupling
Resolution	13 bit singleturn
Power supply	9-36 Vdc
Output signal	Parallel Gray
Connection type	Cable
Connecting direction	Radial
Cable length	1.50 m

**Dimensions****Output signals****Pin configuration**

Function	Colour
Bit 1	Brown/Yellow
Bit 2	Brown/Green
Bit 3	White/Green
Bit 4	Blue/Red
Bit 5	Grey/Pink
Bit 6	Violet
Bit 7	Black
Bit 8	Pink
Bit 9	Grey
Bit 10	Yellow
Bit 11	Green
Bit 12	Brown
Bit 13	White
0 Volt	Blue
+E Volt	Red
Code sequence	White/Yellow
Chassis	Shield

**Ordering information**

Part number

773523-01