

- 58mm diameter
- Extremely robust design
- Shock and vibration protected
- Inductive scanning

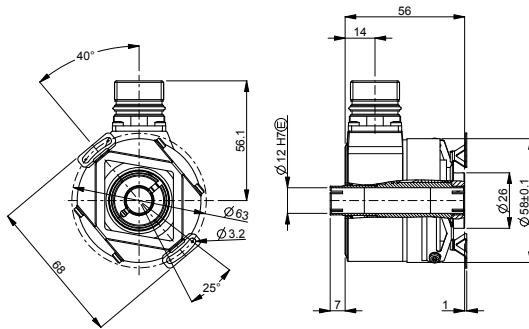


Technical data

Operating temperature	-40 °C .. +100 °C
Ingress protection class [IEC 60529]	IP67
Current consumption	30 mA at 24 Vdc
Vibration [IEC 60068-2-6]	≤ 300 m/s ²
Shock [IEC 60068-2-27]	≤ 2000 m/s ²
Cover material	Aluminium (anodized)
Weight	320 g
Shaft load (axial/radial)	100 / 140 N
Shaft material	Stainless steel
Rotational speed max	12000 rpm
Polarity protected	Yes

Encoder configuration

Type	IHA
Model	608 Multiturn
Shaft type	Ø12 mm through-going hollow shaft
Flange type	58/59-flange with stator coupling
Resolution	25 bit (13 bit singleturn + 12 bit multiturn)
Power supply	9-30 Vdc
Output signal	SSI Gray
Incremental signal	32 ppr 1Vpp
Connection type	M23 connector 17-pin
Connecting direction	Radial

Dimensions**Output signals****Pin configuration**

Function	Pin / Colour
0 Volt	10 / White-Green
0V sense	4 / White
+E Volt	7 / Brown-Green
+EV sense	1 / Blue
A	15 / Green-Black
A inverted	16 / Yellow-Black
B	12 / Blue-Black
B inverted	13 / Red-Black
Data	14 / Grey
Data inverted	17 / Pink
Clock	8 / Violet
Clock inverted	9 / Yellow
Code sequence	2 / Black
Zeroset	5 / Green

Ordering information

Part number

768084-01