

- Performance hollow shaft encoder for heavy duty industries
- High vibration and shock resistance
- Electrically insulated shaft



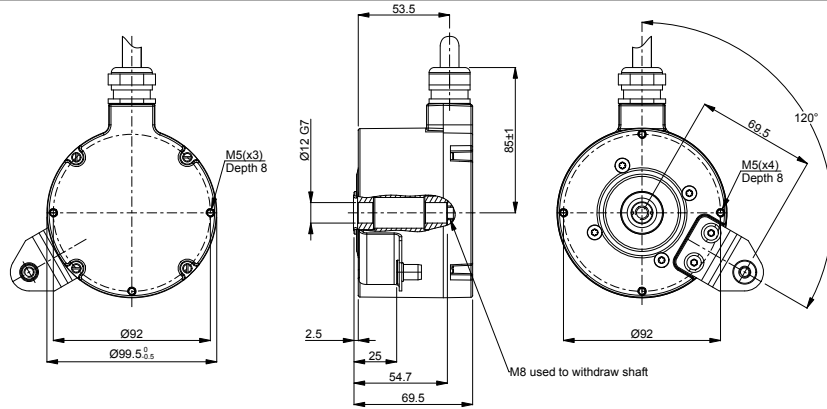
## Technical data

|                                      |  |
|--------------------------------------|--|
| Operating temperature                | -20 °C .. +85 °C                           |
| Ingress protection class [IEC 60529] | IP67 (IP66 at shaft inlet)                 |
| Vibration [IEC 60068-2-6]            | ≤ 200 m/s <sup>2</sup>                     |
| Shock [IEC 60068-2-27]               | ≤ 1500 m/s <sup>2</sup>                    |
| Cover material                       | Aluminium (coated)                         |
| Weight                               | 1300 g                                     |
| Shaft load (axial/radial)            | 100 N / 300 N                              |
| Rotational speed max                 | 6000 rpm                                   |
| Shaft material                       | Stainless steel with insulated peek insert |
| Short circuit protected              | Yes  |
| Polarity protected                   | Yes  |
| Current consumption                  | 60 mA at 24 Vdc (Max. 80 mA)               |
| Output load                          | ± 40 mA                                    |
| Output frequency max                 | 200 kHz                                    |
| Cable length max                     | 350 m at 100 kHz                           |
| Channel separation                   | 90° el ± 25° el                            |
| Dividing error                       | ±50° el                                    |

## Encoder configuration

|                            |                           |
|----------------------------|---------------------------|
| Code key description       | 861107356                 |
| Type                       | XHI                       |
| Model                      | 861                       |
| Shaft type                 | Ø12 mm blind hollow shaft |
| Flange type                | 86-flange                 |
| Resolution                 | 512                       |
| Power supply               | 9-30 Vdc                  |
| Output signal              | HC-HTL                    |
| Connection type            | Cable                     |
| Connecting direction       | Radial                    |
| Cable length               | 1.50 m                    |
| Cable gland dimension      | M20 for Ø8-11 mm cables   |
| Number of channels         | 6                         |
| Advanced Diagnostic System | Available upon request    |
| Torque bracket             | 120 degrees orientation   |

## Dimensions



## Output signals



## Pin configuration

| Function           | Colour |
|--------------------|--------|
| +E volt            | Red    |
| 0 Volt             | Blue   |
| 0 (Sref)           | Brown  |
| 0 inverted (Sref\) | Violet |
| 1 (S90)            | Green  |
| 1 inverted (S90\)  | White  |
| 2 (S00)            | Yellow |
| 2 inverted (S00\)  | Black  |
| Chassis            | Shield |

## Ordering information

Part number

751282-16