

- Single turn resolution ≤ 14 bit
- Robust design
- Shock and vibration protected



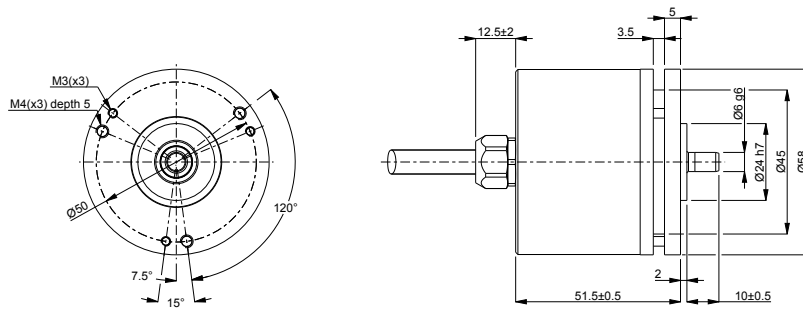
Technical data

Operating temperature	-40 °C .. +80 °C
Ingress protection class [IEC 60529]	IP67/IP66 (Encoder body/Shaft inlet)
Current consumption	100 mA at 24 Vdc
Vibration [IEC 60068-2-6]	≤ 300 m/s ²
Shock [IEC 60068-2-27]	≤ 2000 m/s ²
Cover material	Aluminium
Weight	300 g
Shaft load (axial/radial)	50 N / 60 N
Shaft material	Stainless steel
Rotational speed max	6000 rpm
Polarity protected	Yes

Encoder configuration

Type	RSA
Model	507 Singleturn
Shaft type	Ø6 mm round
Flange type	51-flange
Resolution	13 bit singleturn
Power supply	9-36 Vdc
Output signal	BiLL
Connection type	Cable
Connecting direction	Axial
Cable length	5.00 m

Dimensions



Output signals

Pin configuration

Function	Colour
Address bit 0	White
Address bit 1	Brown
Address bit 2	Grey
Address bit 3	Pink
Address 0V	Blue/Red
+E Volt	Red
0 Volt	Blue
Data - / RS-485-A	Yellow
Data + / RS-485-B	Green
Chassis	Shield

Ordering information

Part number

749352-01