

Ruggedized Hollow shaft encoder, Absolute

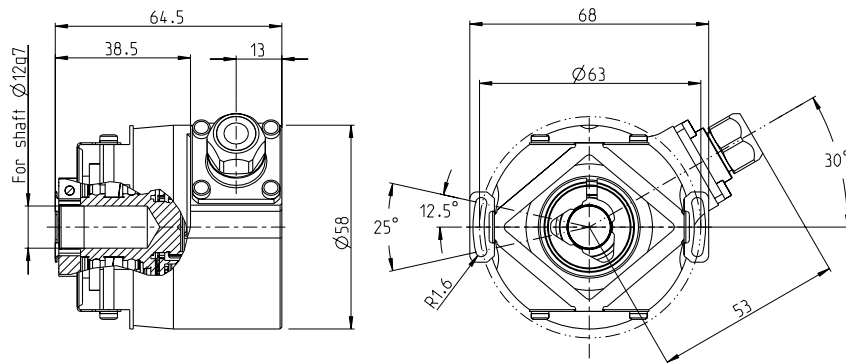
- 58mm diameter
- Single turn resolution 13 bit
- Multi turn resolution 12 bit
- Robust design
- Shock and vibration protected

**Technical data**

| | |
|--------------------------------------|---|
| Operating temperature | -40 °C .. +70 °C |
| Ingress protection class [IEC 60529] | IP67/IP64 (Encoder body/Shaft inlet) |
| Current consumption | 65 mA at 24 Vdc (Max. 100 mA at 24 Vdc) |
| Vibration [IEC 60068-2-6] | ≤ 150 m/s ² |
| Shock [IEC 60068-2-27] | ≤ 1000 m/s ² |
| Cover material | Aluminium (Passivated and coated) |
| Weight | 300 g |
| Shaft load (axial/radial) | 10 N / 20 N |
| Shaft material | Stainless steel |
| Rotational speed max | 6000 rpm |
| Polarity protected | Yes |

Encoder configuration

| | |
|----------------------|--|
| Type | RHA |
| Model | 608 Multiturn |
| Shaft type | Ø12 mm blind hollow shaft |
| Flange type | 58/59-flange with stator coupling |
| Resolution | 25 bit absolute + Incremental 1024 ppr HTL |
| Power supply | 9-30 Vdc |
| Output signal | SSI Gray with additional incremental HTL signals |
| Connection type | Cable |
| Connecting direction | Radial |
| Cable length | 5.00 m |

Dimensions**Output signals****Pin configuration**

| Function | Color |
|--|--------------|
| +E Volt | Red |
| 0 V | Blue |
| Code sequence | Yellow |
| STATUS | Green |
| PRESET | Black |
| Clock | White |
| Clock\ | Brown |
| Data | Grey |
| Data\ | Pink |
| S90 | White/Green |
| S90\ | White/Yellow |
| S00 | Brown/Green |
| S00\ | Brown/Yellow |
| Set Code sequence to +EV to change code direction | |

Ordering information

Part number

745754-01