

- 58mm diameter
- Singleturn resolution 13 bit
- Robust design
- Shock and vibration protected



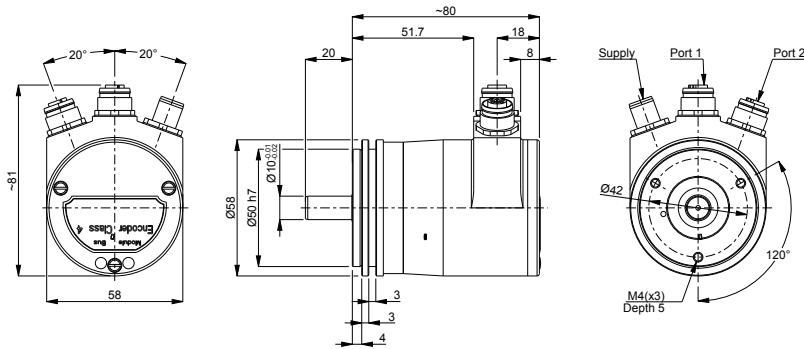
## Technical data

Operating temperature	-40 °C .. +70 °C
Ingress protection class [IEC 60529]	IP67/IP66 (Encoder body/Shaft inlet)
Current consumption	100 mA at 24 Vdc
Vibration [IEC 60068-2-6]	≤ 100 m/s <sup>2</sup>
Shock [IEC 60068-2-27]	≤ 1000 m/s <sup>2</sup>
Cover material	Aluminium
Weight	400 g
Shaft load (axial/radial)	50 N / 60 N
Shaft material	Stainless steel
Rotational speed max	12000 rpm
Polarity protected	Yes

## Encoder configuration

Type	RSA
Model	607 Singleturn
Shaft type	Ø10 mm round
Flange type	Synchro flange (63-type)
Resolution	13 bit singleturn
Power supply	10-30 Vdc
Output signal	PROFINET
Connection type	3xM12 connectors
Connecting direction	Radial

## Dimensions



## Output signals

## Pin configuration

Function	Pin
4p D-coded M12 (Port 2)	
Tx+	1
Rx+	2
Tx-	3
Rx-	4
4p D-coded M12 (Port 1)	
Tx+	1
Rx+	2
Tx-	3
RX-	4
4p A-coded M12 (Supply)	
+E Volt	1
0 Volt	3

## Ordering information

Part number

730549-01