

- Performance encoder for heavy duty industries
- Euro-flange and solid shaft 11 mm with key nut
- High vibration and shock resistance



Technical data

| | |
|--------------------------------------|------------------------------|
| Operating temperature | -40 °C .. +85 °C |
| Ingress protection class [IEC 60529] | IP67 (IP66 at shaft inlet) |
| Vibration [IEC 60068-2-6] | ≤ 200 m/s ² |
| Shock [IEC 60068-2-27] | ≤ 1500 m/s ² |
| Cover material | Aluminium (coated) |
| Weight | 1300 g |
| Shaft load (axial/radial) | 100 N / 100 N |
| Rotational speed max | 6000 rpm |
| Shaft material | Stainless steel |
| Short circuit protected | Yes |
| Polarity protected | Yes |
| Current consumption | 60 mA at 24 Vdc (Max. 80 mA) |
| Output load | ± 40 mA |
| Output frequency max | 200 kHz |
| Cable length max | 350 m at 100 kHz |
| Channel separation | 90° el ± 25° el |
| Dividing error | ±50° el |

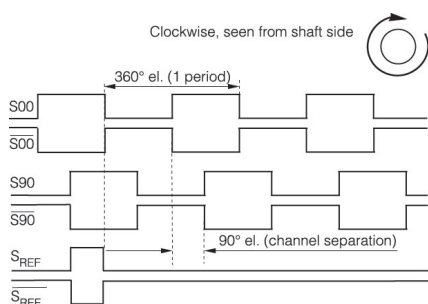
Encoder configuration

| | |
|----------------------------|------------------------|
| Code key description | 850009256 |
| Type | XSI |
| Model | 850 |
| Shaft type | Ø11 mm with key nut |
| Flange type | Euro-flange (B10-type) |
| Resolution | 3072 |
| Power supply | 9-30 Vdc |
| Output signal | HC-HTL |
| Connection type | M23 connector 12-pin |
| Connecting direction | Radial |
| Pin layout | CCW |
| Number of channels | 6 |
| Advanced Diagnostic System | Available upon request |

Dimensions

Drawing available upon request to Leine & Linde.

Output signals



Pin configuration

| Function | Pin |
|--------------------|-----|
| +E Volt | 12 |
| 0 Volt | 10 |
| 0 (Sref) | 3 |
| 0 inverted (Sref\) | 4 |
| 1 (S90) | 8 |
| 1 inverted (S90\) | 1 |
| 2 (S00) | 5 |
| 2 inverted (S00\) | 6 |

Ordering information

Part number

730367-05