

- Performance hollow shaft encoder for heavy duty industries
- High vibration and shock resistance
- Electrically insulated shaft



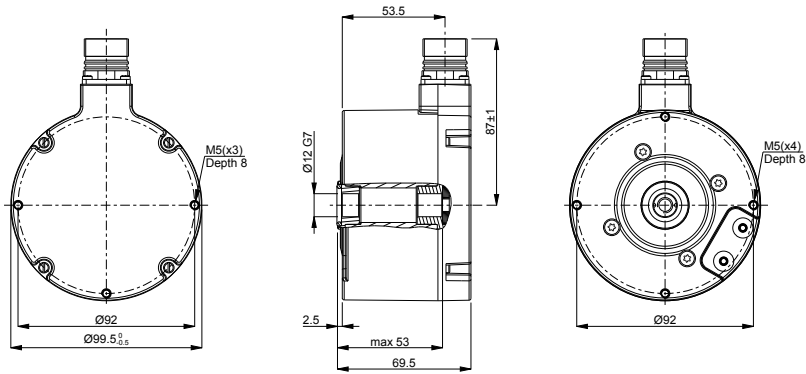
### Technical data

|                                      |  |
|--------------------------------------|--|
| Operating temperature                | -20 °C .. +100 °C                          |
| Ingress protection class [IEC 60529] | IP67 (IP66 at shaft inlet)                 |
| Vibration [IEC 60068-2-6]            | ≤ 200 m/s <sup>2</sup>                     |
| Shock [IEC 60068-2-27]               | ≤ 1500 m/s <sup>2</sup>                    |
| Cover material                       | Aluminium (coated)                         |
| Weight                               | 1300 g                                     |
| Shaft load (axial/radial)            | 100 N / 300 N                              |
| Rotational speed max                 | 6000 rpm                                   |
| Shaft material                       | Stainless steel with insulated peek insert |
| Short circuit protected              | Yes  |
| Polarity protected                   | No   |
| Current consumption                  | 85 mA (Max. 155 mA)                        |
| Output load                          | ± 20 mA                                    |
| Output frequency max                 | 200 kHz                                    |
| Cable length max                     | 50 m at 50 kHz                             |
| Channel separation                   | 90° el ± 25° el                            |
| Dividing error                       | ±50° el                                    |

### Encoder configuration

|                            |                           |
|----------------------------|---------------------------|
| Code key description       | 861007216                 |
| Type                       | XHI                       |
| Model                      | 861                       |
| Shaft type                 | Ø12 mm blind hollow shaft |
| Flange type                | 86-flange                 |
| Resolution                 | 1024                      |
| Power supply               | 5 Vdc                     |
| Output signal              | TTL                       |
| Connection type            | M23 connector 12-pin      |
| Connecting direction       | Radial                    |
| Pin layout                 | CCW                       |
| Number of channels         | 6                         |
| Advanced Diagnostic System | Available upon request    |
| Torque bracket             | Available upon request    |

## Dimensions



## Output signals



## Pin configuration

| Function           | Pin |
|--------------------|-----|
| +E Volt            | 12  |
| 0 Volt             | 10  |
| 0 (Sref)           | 3   |
| 0 inverted (Sref\) | 4   |
| 1 (S90)            | 8   |
| 1 inverted (S90\)  | 1   |
| 2 (S00)            | 5   |
| 2 inverted (S00\)  | 6   |

## Ordering information

Part number 727555-01