

- 58mm diameter
- Robust design
- Shock and vibration protected

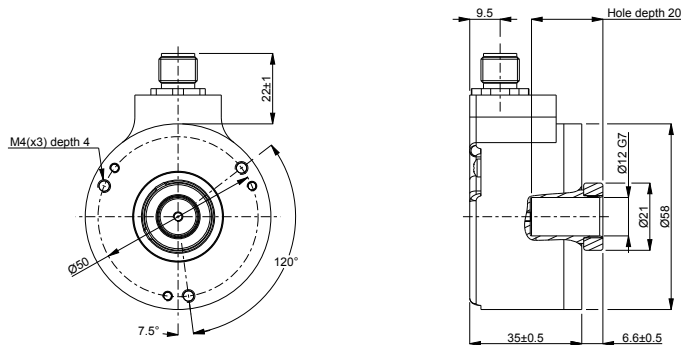


Technical data

Operating temperature	-40 °C .. +80 °C
Ingress protection class [IEC 60529]	IP67/IP66 (Encoder body/Shaft inlet)
Current consumption	100 mA
Vibration [IEC 60068-2-6]	≤ 300 m/s ²
Shock [IEC 60068-2-27]	≤ 2000 m/s ²
Cover material	Aluminium
Weight	300 g
Shaft load (axial/radial)	10 N / 20 N
Shaft material	Stainless steel
Rotational speed max	6000 rpm
Polarity protected	No

Encoder configuration

Type	RHA
Model	507 Singleturn
Shaft type	Ø12 mm blind hollow shaft
Flange type	56/57-flange
Resolution	13 bit singleturn
Power supply	5 Vdc
Output signal	SSI Gray
Connection type	M12 connector 8-pin
Connecting direction	Radial

Dimensions**Output signals****Pin configuration**

Function	Pin
0 Volt	1
+E Volt	2
Clock	3
Clock inverted	4
Data	5
Data inverted	6
Code sequence	8

Ordering information

Part number

727277-01