

**Ruggedized Hollow shaft encoder, Absolute**

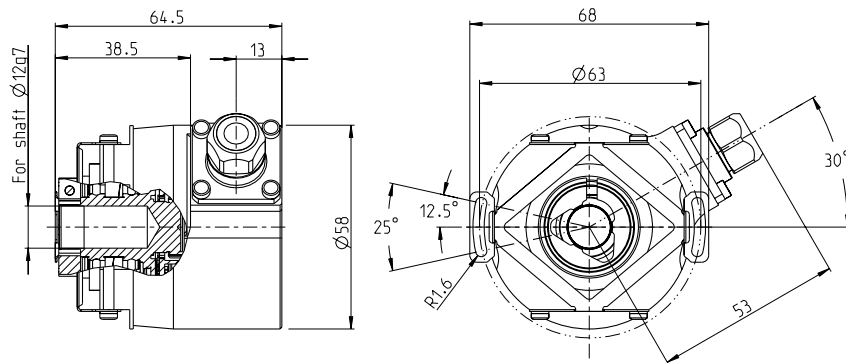
- 58mm diameter
- Single turn resolution 13 bit
- Multi turn resolution 12 bit
- Robust design
- Shock and vibration protected

**Technical data**

Operating temperature	-40 °C .. +70 °C
Ingress protection class [IEC 60529]	IP67/IP64 (Encoder body/Shaft inlet)
Current consumption	60 mA at 24 Vdc (Max. 90 mA at 24 Vdc)
Vibration [IEC 60068-2-6]	≤ 150 m/s <sup>2</sup>
Shock [IEC 60068-2-27]	≤ 1000 m/s <sup>2</sup>
Cover material	Aluminium (Passivated and coated)
Weight	300 g
Shaft load (axial/radial)	10 N / 20 N
Shaft material	Stainless steel
Rotational speed max	6000 rpm
Polarity protected	Yes

**Encoder configuration**

Type	RHA
Model	608 Multiturn
Shaft type	Ø12 mm blind hollow shaft
Flange type	58/59-flange with stator coupling
Resolution	25 bit absolute + Incremental 512 ppr 1Vpp
Power supply	9-36 Vdc
Output signal	SSI Programmable
Connection type	Cable
Connecting direction	Radial
Cable length	5.00 m

**Dimensions****Output signals****Pin configuration**

Function	Color
RS-232 TXD	Blue/Red
Direction	Yellow
STATUS	Green
RS-232 RXD	Grey/Pink
PRESET 1	Black
PRESET 2	Violet
+E Volt	Red
Clock	White
Clock\	Brown
0 Volt	Blue
B	White/Green
B\	White/Yellow
Data	Grey
A	Brown/Green
A\	Brown/Yellow
Data\	Pink

**Ordering information**

Part number

721731-01