

**Ruggedized Shaft encoder, Absolute**

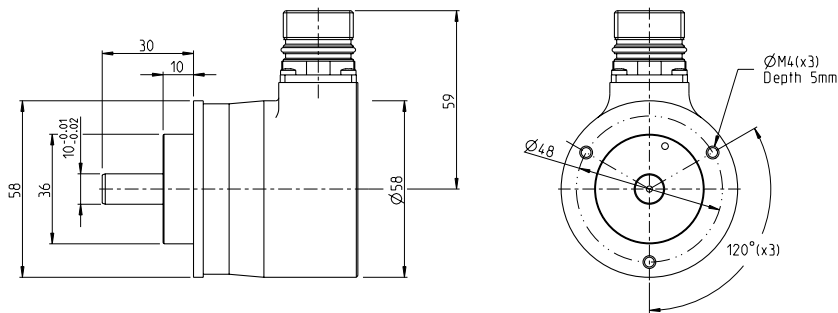
- 58mm diameter
- Single turn resolution 13 bit
- Multi turn resolution 12 bit
- Robust design
- Shock and vibration protected

**Technical data**

Operating temperature	-40 °C .. +70 °C
Ingress protection class [IEC 60529]	IP67/IP66 (Encoder body/Shaft inlet)
Current consumption	60 mA at 24 Vdc (Max. 90 mA at 24 Vdc)
Vibration [IEC 60068-2-6]	≤ 300 m/s <sup>2</sup>
Shock [IEC 60068-2-27]	≤ 1000 m/s <sup>2</sup>
Cover material	Aluminium (Passivated and coated)
Weight	300 g
Shaft load (axial/radial)	50 N / 60 N
Shaft material	Stainless steel
Rotational speed max	12000 rpm
Polarity protected	Yes

**Encoder configuration**

Type	RSA
Model	608 Multiturn
Shaft type	Ø10 mm round
Flange type	Clamping flange (61sp-type)
Resolution	25 bit (13 bit singleturn + 12 bit multiturn)
Power supply	9-36 Vdc
Output signal	SSI Programmable
Connection type	M23 connector 12-pin
Connecting direction	Radial

**Dimensions****Output signals****Pin configuration**

Function	Pin
RS-232 TXD	1
Direction	2
STATUS	3
RS-232 RXD	4
PRESET 1	5
PRESET 2	6
+E Volt	7
Clock	8
Clock\	9
0 Volt	10
Data	11
Data\	12

**Ordering information**

Part number

721728-01