

- Single turn resolution ≤ 10 bit
- Robust design
- Shock and vibration protected

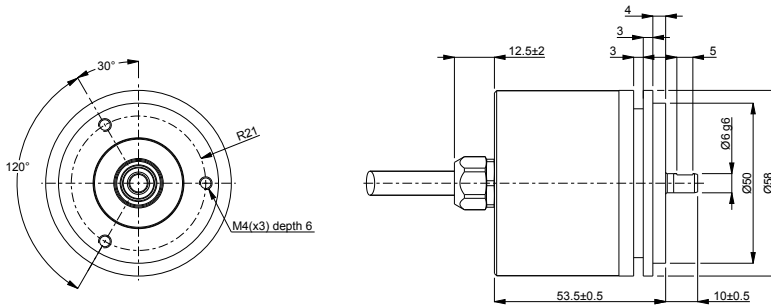


Technical data

| | |
|--------------------------------------|--------------------------------------|
| Operating temperature | -40 °C .. +80 °C |
| Ingress protection class [IEC 60529] | IP67/IP66 (Encoder body/Shaft inlet) |
| Current consumption | 40 mA at 24 Vdc |
| Vibration [IEC 60068-2-6] | ≤ 300 m/s ² |
| Shock [IEC 60068-2-27] | ≤ 2000 m/s ² |
| Cover material | Aluminium |
| Weight | 300 g |
| Shaft load (axial/radial) | 50 N / 60 N |
| Shaft material | Stainless steel |
| Rotational speed max | 6000 rpm |
| Polarity protected | Yes |

Encoder configuration

| | |
|----------------------|-----------------------------|
| Type | RSA |
| Model | 506 Singleturn |
| Shaft type | Ø6 mm with partial flat |
| Flange type | Synchro flange (63-type) |
| Resolution | 10 bit singleturn |
| Power supply | 9-36 Vdc |
| Output signal | Analogue 0-20 mA (Teach in) |
| Connection type | Cable |
| Connecting direction | Axial |
| Cable length | 1.50 m |
| Active angle | 360.0 |

Dimensions**Output signals****Pin configuration**

| Function | Colour |
|----------|--------|
| +E Volt | Red |
| 0 Volt | Blue |
| I out | Green |
| Preset | White |
| Teach-In | Black |
| Chassis | Shield |

Ordering information

Part number

700616-01