**Ruggedized Hollow shaft encoder, Absolute**

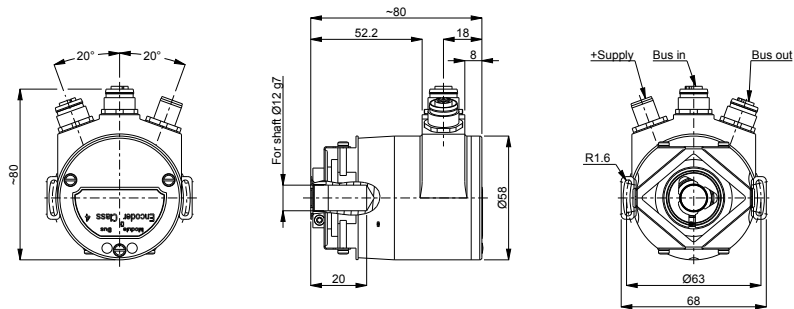
- 58mm diameter
- Single turn resolution 13 bit
- Multi turn resolution 12 bit
- Robust design
- Shock and vibration protected

**Technical data**

Operating temperature	-40 °C .. +70 °C
Ingress protection class [IEC 60529]	IP67/IP64 (Encoder body/Shaft inlet)
Current consumption	100 mA at 24 Vdc
Vibration [IEC 60068-2-6]	≤ 100 m/s ²
Shock [IEC 60068-2-27]	≤ 1000 m/s ²
Cover material	Aluminium
Weight	400 g
Shaft load (axial/radial)	10 N / 20 N
Shaft material	Stainless steel
Rotational speed max	6000 rpm
Polarity protected	Yes

Encoder configuration

Type	RHA
Model	608 Multiturn
Shaft type	Ø12 mm blind hollow shaft
Flange type	58/59-flange with stator coupling
Resolution	25 bit (13 bit singleturn + 12 bit multiturn)
Power supply	10-30 Vdc
Output signal	PROFINET
Connection type	3xM12 connectors
Connecting direction	Radial

Dimensions**Output signals****Pin configuration**

Function	Pin
4p D-coded M12 (Port 2)	
Tx+	1
Rx+	2
Tx-	3
Rx-	4
4p D-coded M12 (Port 1)	
Tx+	1
Rx+	2
Tx-	3
RX-	4
4p A-coded M12 (Supply)	
+E Volt	1
0 Volt	3

Ordering information

Part number

661400-01