

- Robust encoder with solid shaft
- Short-circuited protected outputs
- IP67 at housing, IP66 at shaft inlet
- High temperature version



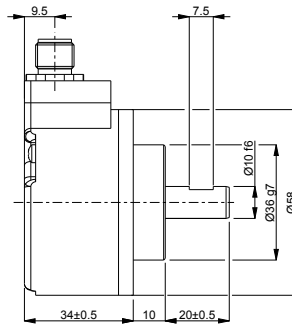
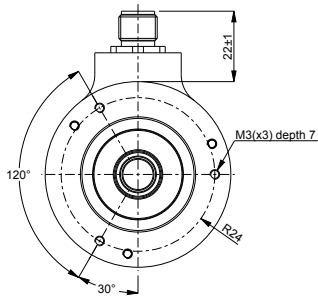
## Technical data

|                                      |                             |
|--------------------------------------|-----------------------------|
| Operating temperature                | -20 °C .. +100 °C           |
| Ingress protection class [IEC 60529] | IP67 (IP66 at shaft inlet)  |
| Vibration [IEC 60068-2-6]            | ≤ 300 m/s <sup>2</sup>      |
| Shock [IEC 60068-2-27]               | ≤ 2000 m/s <sup>2</sup>     |
| Cover material                       | Aluminium (anodized)        |
| Weight                               | 300 g                       |
| Shaft load (axial/radial)            | 50 N / 60 N                 |
| Rotational speed max                 | 6000 rpm                    |
| Shaft material                       | Stainless steel             |
| Short circuit protected              | Yes                         |
| Polarity protected                   | Yes                         |
| Current consumption                  | 50 mA at 24 Vdc (Max.75 mA) |
| Output load                          | ± 40 mA                     |
| Output frequency max                 | 300 kHz                     |
| Cable length max                     | 100 m at 100 kHz            |
| Channel separation                   | 90° el ± 25° el             |
| Dividing error                       | ±50° el                     |

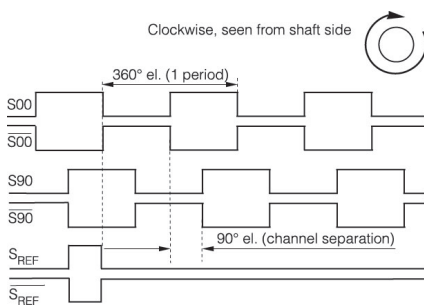
## Encoder configuration

|                      |                               |
|----------------------|-------------------------------|
| Type                 | RSI                           |
| Model                | 504 High temperature (100 °C) |
| Shaft type           | Ø10 with partial flat         |
| Flange type          | Clamping flange (61-type)     |
| Resolution           | 1024                          |
| Power supply         | 9-30 Vdc                      |
| Output signal        | HTL                           |
| Connection type      | M12 connector 8-pin           |
| Connecting direction | Radial                        |

## Dimensions



## Output signals



## Pin configuration

| Function      | Pin     |
|---------------|---------|
| S90 inverted  | 1       |
| Sref          | 2       |
| S90           | 3       |
| S00           | 4       |
| S00 inverted  | 5       |
| Sref inverted | 6       |
| 0V            | 7       |
| +EV           | 8       |
| Shield        | Chassis |

## Ordering information

Part number

651255-01