

- 58mm diameter
- Robust design
- Shock and vibration protected

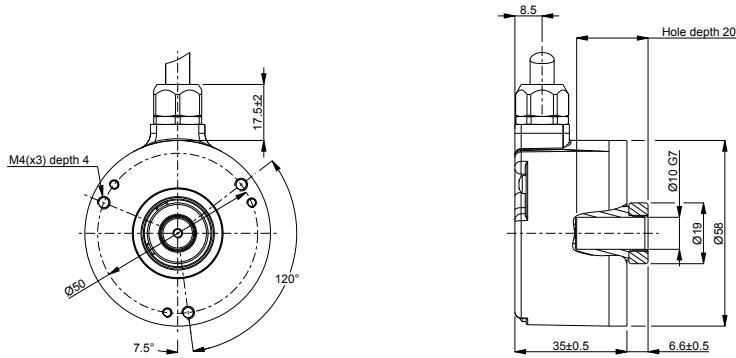


Technical data

Operating temperature	-40 °C .. +80 °C
Ingress protection class [IEC 60529]	IP67/IP66 (Encoder body/Shaft inlet)
Current consumption	100 mA at 24 Vdc
Vibration [IEC 60068-2-6]	≤ 300 m/s ²
Shock [IEC 60068-2-27]	≤ 2000 m/s ²
Cover material	Aluminium
Weight	300 g
Shaft load (axial/radial)	10 N / 20 N
Shaft material	Stainless steel
Rotational speed max	6000 rpm
Polarity protected	Yes

Encoder configuration

Type	RHA
Model	507 Singleturn
Shaft type	Ø10 mm blind hollow shaft
Flange type	56/57-flange
Resolution	13 bit singleturn
Power supply	9-36 Vdc
Output signal	CANopen
Connection type	Cable
Connecting direction	Radial

Dimensions**Output signals****Pin configuration**

Function	Colour
Address bit 0	White
Address bit 1	Brown
Address bit 2	Grey
Address bit 3	Pink
Address 0V	Blue/Red
CAN_H	Green
CAN_L	Yellow
CAN_GND	Grey/Pink
+E Volt	Red
0 Volt	Blue
Chassis	Shield

Ordering information

Part number

647317-01