

- Single turn resolution  $\leq 14$  bit
- Robust design
- Shock and vibration protected

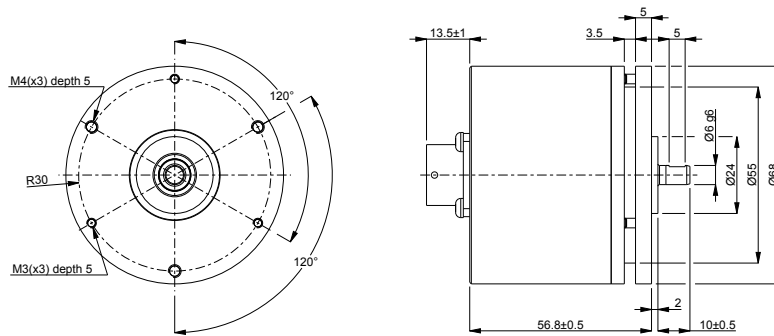


## Technical data

Operating temperature	-40 °C .. +80 °C
Ingress protection class [IEC 60529]	IP67/IP66 (Encoder body/Shaft inlet)
Current consumption	50 mA at 24 Vdc
Vibration [IEC 60068-2-6]	$\leq 300$ m/s <sup>2</sup>
Shock [IEC 60068-2-27]	$\leq 2000$ m/s <sup>2</sup>
Cover material	Aluminium
Weight	300 g
Shaft load (axial/radial)	50 N / 60 N
Shaft material	Stainless steel
Rotational speed max	6000 rpm
Polarity protected	Yes

## Encoder configuration

Type	RSA
Model	507 Singleturn
Shaft type	Ø6 mm with partial flat
Flange type	52-flange
Resolution	13 bit singleturn
Power supply	9-36 Vdc
Output signal	SSI Gray
Connection type	PT connector 8-pin
Connecting direction	Axial

**Dimensions****Output signals****Pin configuration**

Function	Pin
Clock	A
Clock inverted	B
Data	C
Data inverted	D
Hold	G
Code sequence	H
0 Volt	F
+E Volt	E

**Ordering information**

Part number

632838-01