

- IP 67 encapsulation class
- Short-circuit protected electrical outputs
- Polarity protected power supply
- Shock and vibration protected
- 3 channel output and additional status output



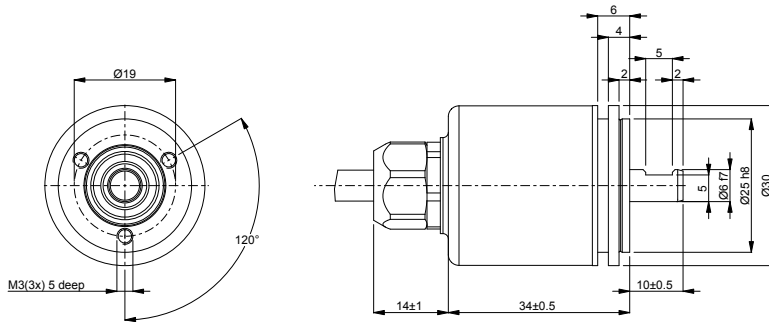
## Technical data

|                                      |                              |
|--------------------------------------|------------------------------|
| Operating temperature                | -40 °C .. +70 °C             |
| Ingress protection class [IEC 60529] | IP67                         |
| Vibration [IEC 60068-2-6]            | ≤ 300 m/s <sup>2</sup>       |
| Shock [IEC 60068-2-27]               | ≤ 5000 m/s <sup>2</sup>      |
| Cover material                       | Aluminium (anodized)         |
| Weight                               | 70 g                         |
| Shaft load (axial/radial)            | 10 N / 10 N                  |
| Rotational speed max                 | 6000 rpm                     |
| Shaft material                       | Stainless steel              |
| Short circuit protected              | Yes                          |
| Polarity protected                   | Yes                          |
| Current consumption                  | 10 mA at 24 Vdc (Max. 70 mA) |
| Output load                          | ±20 mA                       |
| Output frequency max                 | 200 kHz                      |
| Cable length max                     | 50 m at 50 kHz               |
| Channel separation                   | 90° el ± 25° el              |
| Dividing error                       | ±50° el                      |

## Encoder configuration

|                      |                         |
|----------------------|-------------------------|
| Type                 | MSI                     |
| Model                | 301 Extra robust        |
| Shaft type           | Ø6 mm with partial flat |
| Flange type          | 31-flange               |
| Resolution           | 50                      |
| Power supply         | 9-36 Vdc                |
| Output signal        | HTL                     |
| Connection type      | Cable                   |
| Connecting direction | Axial                   |
| Cable length         | 1.50 m                  |

## Dimensions



## Output signals



## Pin configuration

| Function | Colour |
|----------|--------|
| S00      | Yellow |
| S90      | Green  |
| Sref     | Brown  |
| +EV      | Red    |
| 0V       | Blue   |
| Status   | Grey   |
| Chassis  | Shield |

## Ordering information

Part number 608530-16