

- Robust encoder with solid shaft
- Short-circuited protected outputs
- IP67 at housing, IP66 at shaft inlet
- High temperature version



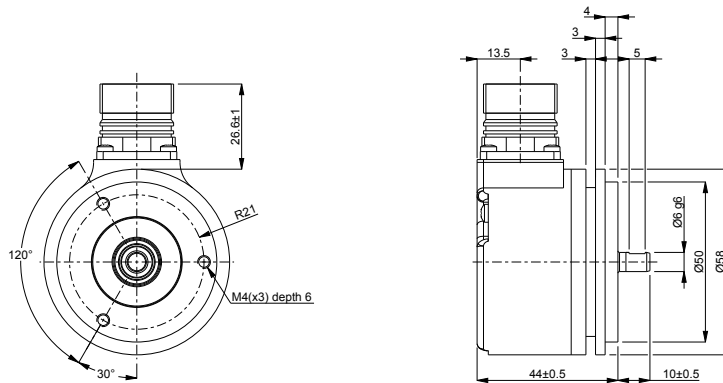
## Technical data

|                                      |                            |
|--------------------------------------|----------------------------|
| Operating temperature                | -20 °C .. +100 °C          |
| Ingress protection class [IEC 60529] | IP67 (IP66 at shaft inlet) |
| Vibration [IEC 60068-2-6]            | ≤ 300 m/s <sup>2</sup>     |
| Shock [IEC 60068-2-27]               | ≤ 2000 m/s <sup>2</sup>    |
| Cover material                       | Aluminium (anodized)       |
| Weight                               | 300 g                      |
| Shaft load (axial/radial)            | 50 N / 60 N                |
| Rotational speed max                 | 6000 rpm                   |
| Shaft material                       | Stainless steel            |
| Short circuit protected              | Yes                        |
| Polarity protected                   | No                         |
| Current consumption                  | 45 mA (Max. 75 mA)         |
| Output load                          | ± 20 mA                    |
| Output frequency max                 | 300 kHz                    |
| Cable length max                     | 50 m at 50 kHz             |
| Channel separation                   | 90° el ± 45° el            |
| Dividing error                       | ±90° el                    |

## Encoder configuration

|                      |                               |
|----------------------|-------------------------------|
| Type                 | RSI                           |
| Model                | 504 High temperature (100 °C) |
| Shaft type           | Ø6 mm with partial flat       |
| Flange type          | Synchro flange (63-type)      |
| Resolution           | 10000                         |
| Power supply         | 5 Vdc                         |
| Output signal        | TTL                           |
| Connection type      | M23 connector 12-pin          |
| Connecting direction | Radial                        |

## Dimensions



## Output signals



## Pin configuration

| Function      | Pin |
|---------------|-----|
| S90 inverted  | 1   |
| Not used      | 2   |
| Sref          | 3   |
| Sref inverted | 4   |
| S00           | 5   |
| S00 inverted  | 6   |
| Status        | 7   |
| S90           | 8   |
| Not used      | 9   |
| 0V            | 10  |
| Not used      | 11  |
| +EV           | 12  |

## Ordering information

Part number

599136-01