

- Single turn resolution ≤ 14 bit
- Robust design
- Shock and vibration protected

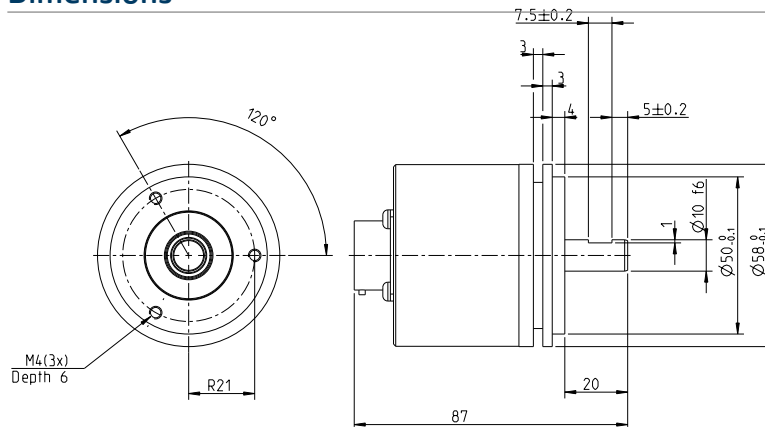


Technical data

Operating temperature	-40 °C .. +80 °C
Ingress protection class [IEC 60529]	IP67/IP66 (Encoder body/Shaft inlet)
Current consumption	50 mA at 24 Vdc
Vibration [IEC 60068-2-6]	≤ 300 m/s ²
Shock [IEC 60068-2-27]	≤ 2000 m/s ²
Cover material	Aluminium
Weight	300 g
Shaft load (axial/radial)	50 N / 60 N
Shaft material	Stainless steel
Rotational speed max	6000 rpm
Polarity protected	Yes

Encoder configuration

Type	RSA
Model	507 Singleturn
Shaft type	Ø10 with partial flat
Flange type	Synchro flange (63-type)
Resolution	13 bit singleturn
Power supply	9-36 Vdc
Output signal	Parallel Gray
Connection type	PT connector 19-pin
Connecting direction	Axial

Dimensions**Output signals****Pin configuration**

Function	Pin
Bit 1	R
Bit 2	P
Bit 3	N
Bit 4	M
Bit 5	L
Bit 6	K
Bit 7	J
Bit 8	H
Bit 9	G
Bit 10	D
Bit 11	C
Bit 12	B
Bit 13	A
0 Volt	F
+E Volt	E
Code sequence	V
Chassis	Shield

Ordering information

Part number

589674-01