

**Ruggedized Hollow shaft encoder, Absolute**

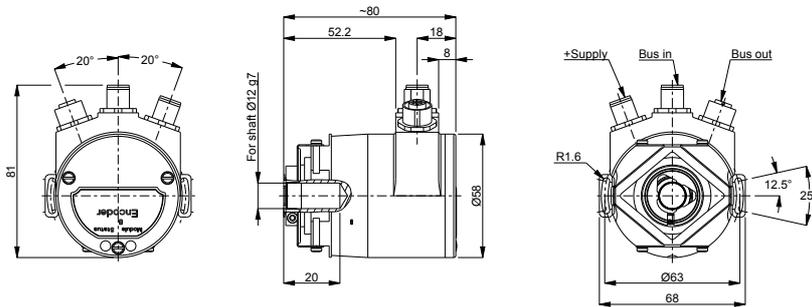
- 58mm diameter
- Single turn resolution 13 bit
- Multi turn resolution 12 bit
- Robust design
- Shock and vibration protected

**Technical data**

Operating temperature	-40 °C .. +70 °C
Ingress protection class [IEC 60529]	IP67/IP64 (Encoder body/Shaft inlet)
Current consumption	90 mA at 24 Vdc
Vibration [IEC 60068-2-6]	≤ 100 m/s <sup>2</sup>
Shock [IEC 60068-2-27]	≤ 1000 m/s <sup>2</sup>
Cover material	Aluminium
Weight	400 g
Shaft load (axial/radial)	10 N / 20 N
Shaft material	Stainless steel
Rotational speed max	6000 rpm
Polarity protected	Yes

**Encoder configuration**

Type	RHA
Model	608 Multiturn
Shaft type	Ø12 mm blind hollow shaft
Flange type	58/59-flange with stator coupling
Resolution	25 bit (13 bit singleturn + 12 bit multiturn)
Power supply	9-36 Vdc
Output signal	CANopen
Connection type	3xM12 connectors
Connecting direction	Radial

**Dimensions****Output signals****Pin configuration**

Function	Pin
M12 Bus out	
CAN_SHIELD	1
CAN_GND	3
CAN_H	4
CAN_L	5
M12 Bus in	
CAN_SHIELD	1
CAN_GND	3
CAN_H	4
CAN_L	5
M12 Power	
+E Volt	1
0 Volt	3

**Ordering information**

Part number

577850-01