**Ruggedized Shaft encoder, Absolute**

- 58mm diameter
- Single turn resolution 13 bit
- Multi turn resolution 12 bit
- Robust design
- Shock and vibration protected

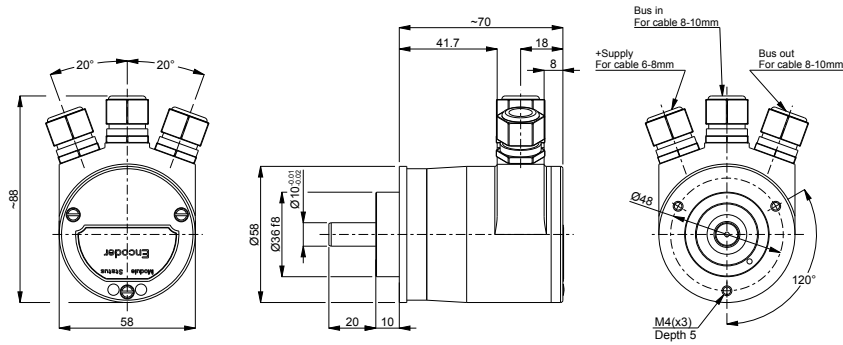
**Technical data**

Operating temperature	-40 °C .. +70 °C
Ingress protection class [IEC 60529]	IP67/IP66 (Encoder body/Shaft inlet)
Current consumption	90 mA at 24 Vdc
Vibration [IEC 60068-2-6]	≤ 100 m/s ²
Shock [IEC 60068-2-27]	≤ 1000 m/s ²
Cover material	Aluminium
Weight	400 g
Shaft load (axial/radial)	50 N / 60 N
Shaft material	Stainless steel
Rotational speed max	12000 rpm
Polarity protected	Yes

Encoder configuration

Type	RSA
Model	608 Multiturn
Shaft type	Ø10 mm round
Flange type	Clamping flange (61sp-type)
Resolution	25 bit (13 bit singleturn + 12 bit multiturn)
Power supply	9-36 Vdc
Output signal	CANopen
Connection type	Cable gland
Connecting direction	Radial

Dimensions



Output signals

Pin configuration

Function	Terminal
+E Volt	1 (+)
0 Volt	2 (-)
CAN_H	3 (H)
CAN_L	4 (L)
CAN_GND	5 (G)
CAN_GND	6 (G)
CAN_L	7 (L)
CAN_H	8 (H)

Ordering information

Part number

577838-01