

- 58mm diameter
- Singleturn resolution 13 bit
- Robust design
- Shock and vibration protected

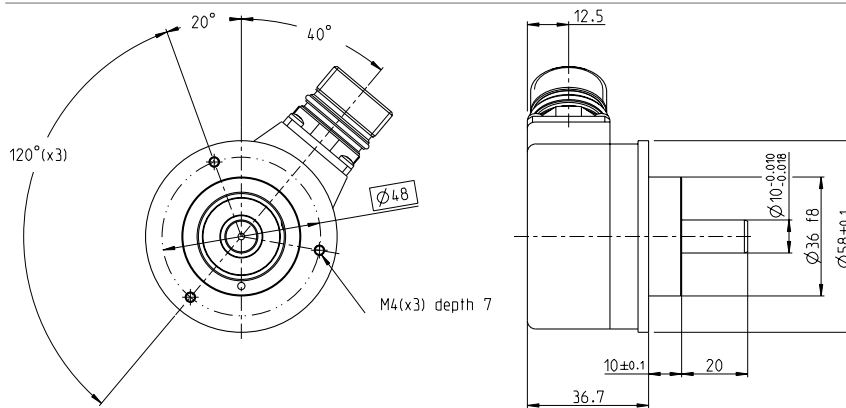


Technical data

| | |
|--------------------------------------|--------------------------------------|
| Operating temperature | -40 °C .. +85 °C |
| Ingress protection class [IEC 60529] | IP67/IP66 (Encoder body/Shaft inlet) |
| Current consumption | Max 160 mA |
| Vibration [IEC 60068-2-6] | ≤ 300 m/s ² |
| Shock [IEC 60068-2-27] | ≤ 1000 m/s ² |
| Cover material | Aluminium |
| Weight | 300 g |
| Shaft load (axial/radial) | 40 N / 60 N |
| Shaft material | Stainless steel |
| Rotational speed max | 12000 rpm |
| Polarity protected | Yes |

Encoder configuration

| | |
|----------------------|---|
| Type | RSA |
| Model | 607 Singleturn |
| Shaft type | Ø10 mm round |
| Flange type | Clamping flange (61sp-type) |
| Resolution | 13 bit singleturn + Incremental 512 ppr 1Vpp |
| Power supply | 10-30 Vdc |
| Output signal | SSI Gray with additional incremental 1Vpp signals |
| Connection type | M23 connector 17-pin |
| Connecting direction | Radial |

Dimensions**Output signals****Pin configuration**

| Function | Pin / Colour |
|----------------|-------------------|
| 0 Volt | 10 / White-Green |
| 0V sense | 4 / White |
| +E Volt | 7 / Brown-Green |
| +EV sense | 1 / Blue |
| A | 15 / Green-Black |
| A inverted | 16 / Yellow-Black |
| B | 12 / Blue-Black |
| B inverted | 13 / Red-Black |
| Data | 14 / Grey |
| Data inverted | 17 / Pink |
| Clock | 8 / Violett |
| Clock inverted | 9 / Yellow |
| Code sequence | 2 / Black |
| Zeroset | 5 / Green |

Ordering information

Part number

576672-01