

- Robust  $\varnothing 58$  mm encoder with solid shaft
- Short-circuited protected outputs
- IP67 at housing, IP66 at shaft inlet
- Extra robust electronics

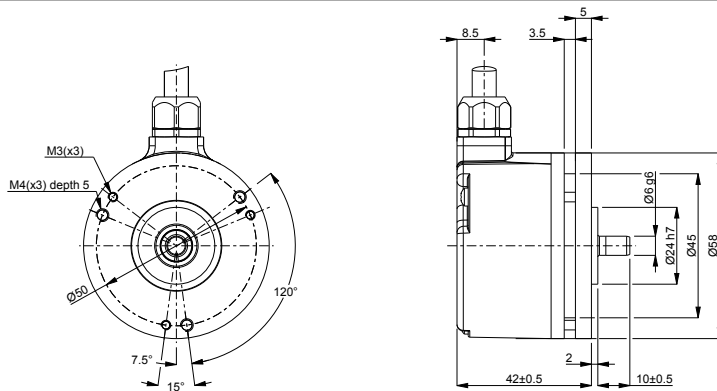


## Technical data

|                                      |                              |
|--------------------------------------|------------------------------|
| Operating temperature                | -40 °C .. +70 °C             |
| Ingress protection class [IEC 60529] | IP67 (IP66 at shaft inlet)   |
| Vibration [IEC 60068-2-6]            | $\leq 300$ m/s <sup>2</sup>  |
| Shock [IEC 60068-2-27]               | $\leq 2000$ m/s <sup>2</sup> |
| Cover material                       | Aluminium                    |
| Weight                               | 300 g                        |
| Shaft load (axial/radial)            | 100 N / 120 N                |
| Rotational speed max                 | 3000 rpm                     |
| Shaft material                       | Stainless steel              |
| Short circuit protected              | Yes                          |
| Polarity protected                   | Yes                          |
| Current consumption                  | 55 mA at 24 Vdc (Max. 80 mA) |
| Output load                          | $\pm 40$ mA                  |
| Output frequency max                 | 200 kHz                      |
| Cable length max                     | 350 m at 100 kHz             |
| Channel separation                   | 90° el $\pm 25^\circ$ el     |
| Dividing error                       | $\pm 50^\circ$ el            |

## Encoder configuration

|                      |                          |
|----------------------|--------------------------|
| Type                 | RSI                      |
| Model                | 501 Extra robust         |
| Shaft type           | $\varnothing 6$ mm round |
| Flange type          | 51-flange                |
| Resolution           | 200                      |
| Power supply         | 9-36 Vdc                 |
| Output signal        | HC-HTL                   |
| Connection type      | Cable                    |
| Connecting direction | Radial                   |
| Cable length         | 1.50 m                   |

**Dimensions****Output signals****Pin configuration**

| Function | Colour |
|----------|--------|
| S00      | Yellow |
| S90      | Green  |
| +EV      | Red    |
| 0V       | Blue   |
| Chassis  | Shield |

**Ordering information**

Part number

557662-01