**Ruggedized Hollow shaft encoder, Absolute**

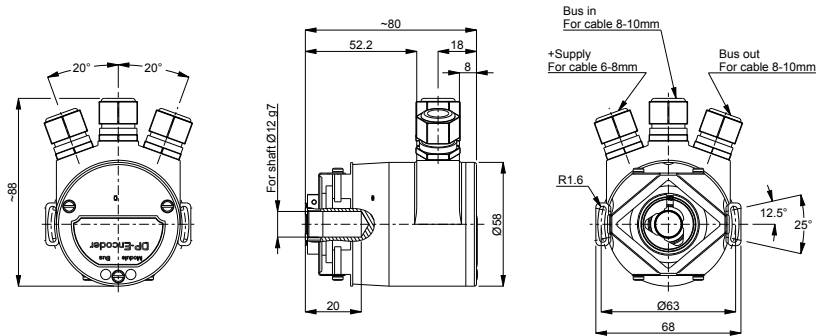
- 58mm diameter
- Single turn resolution 13 bit
- Robust design
- Shock and vibration protected

**Technical data**

Operating temperature	-40 °C .. +70 °C
Ingress protection class [IEC 60529]	IP67/IP64 (Encoder body/Shaft inlet)
Current consumption	95 mA at 24 Vdc
Vibration [IEC 60068-2-6]	≤ 100 m/s <sup>2</sup>
Shock [IEC 60068-2-27]	≤ 1000 m/s <sup>2</sup>
Cover material	Aluminium
Weight	400 g
Shaft load (axial/radial)	10 N / 20 N
Shaft material	Stainless steel
Rotational speed max	6000 rpm
Polarity protected	Yes

**Encoder configuration**

Type	RHA
Model	607 Singleturn
Shaft type	Ø12 mm blind hollow shaft
Flange type	58/59-flange with stator coupling
Resolution	13 bit singleturn
Power supply	9-36 Vdc
Output signal	PROFIBUS DP
Connection type	Cable gland
Connecting direction	Radial

**Dimensions****Output signals****Pin configuration**

Function	Terminal
+E Volt	+
0 Volt	-
B** (Bus in)	B
A* (Bus in)	A
B** (Bus out)	B
A* (Bus out)	A

\*A terminals are connected  
\*\*B terminals are connected

**Ordering information**

Part number

549853-01