

- Single turn resolution  $\leq 14$  bit
- Robust design
- Shock and vibration protected

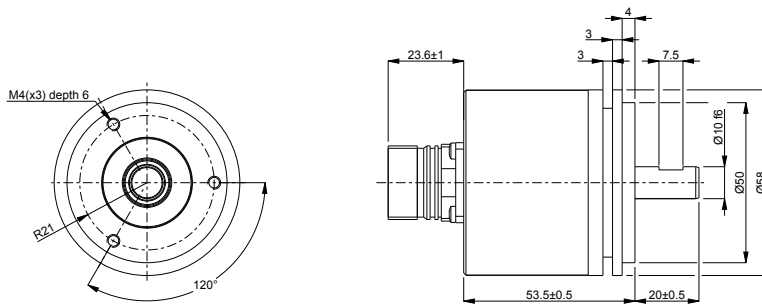


## Technical data

Operating temperature	-40 °C .. +80 °C
Ingress protection class [IEC 60529]	IP67/IP66 (Encoder body/Shaft inlet)
Current consumption	100 mA at 24 Vdc
Vibration [IEC 60068-2-6]	$\leq 300$ m/s <sup>2</sup>
Shock [IEC 60068-2-27]	$\leq 2000$ m/s <sup>2</sup>
Cover material	Aluminium
Weight	300 g
Shaft load (axial/radial)	50 N / 60 N
Shaft material	Stainless steel
Rotational speed max	6000 rpm
Polarity protected	Yes

## Encoder configuration

Type	RSA
Model	507 Singleturn
Shaft type	Ø10 with partial flat
Flange type	Synchro flange (63-type)
Resolution	13 bit singleturn
Power supply	9-36 Vdc
Output signal	CANopen
Connection type	M23 connector 12-pin
Connecting direction	Axial

**Dimensions****Output signals****Pin configuration**

Function	Pin
Address bit 0	1
Address bit 1	2
Address bit 2	3
Address bit 3	4
CAN_H	8
CAN_L	9
0 Volt	10
Address 0V	11
+E Volt	12

**Ordering information**

Part number

538495-01