

- Robust ø58 mm encoder with solid shaft
- Short-circuited protected outputs
- IP67 at housing, IP66 at shaft inlet
- Extra robust electronics



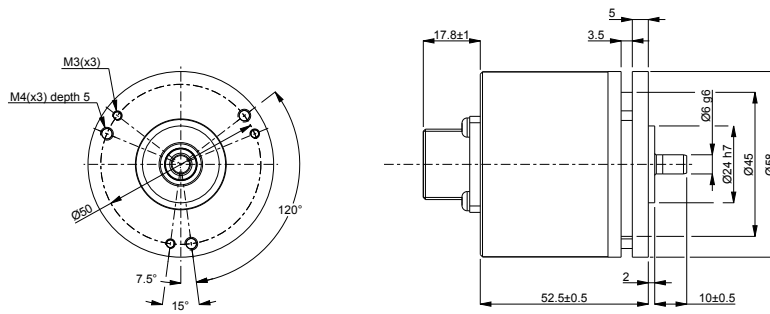
## Technical data

|                                      |                              |
|--------------------------------------|------------------------------|
| Operating temperature                | -40 °C .. +70 °C             |
| Ingress protection class [IEC 60529] | IP67 (IP66 at shaft inlet)   |
| Vibration [IEC 60068-2-6]            | ≤ 300 m/s <sup>2</sup>       |
| Shock [IEC 60068-2-27]               | ≤ 2000 m/s <sup>2</sup>      |
| Cover material                       | Aluminium                    |
| Weight                               | 300 g                        |
| Shaft load (axial/radial)            | 100 N / 120 N                |
| Rotational speed max                 | 3000 rpm                     |
| Shaft material                       | Stainless steel              |
| Short circuit protected              | Yes                          |
| Polarity protected                   | Yes                          |
| Current consumption                  | 55 mA at 24 Vdc (Max. 80 mA) |
| Output load                          | ± 40 mA                      |
| Output frequency max                 | 200 kHz                      |
| Cable length max                     | 350 m at 100 kHz             |
| Channel separation                   | 90° el ± 25° el              |
| Dividing error                       | ±50° el                      |

## Encoder configuration

|                      |                    |
|----------------------|--------------------|
| Type                 | RSI                |
| Model                | 501 Extra robust   |
| Shaft type           | Ø6 mm round        |
| Flange type          | 51-flange          |
| Resolution           | 100                |
| Power supply         | 9-36 Vdc           |
| Output signal        | HC-HTL             |
| Connection type      | MS connector 6-pin |
| Connecting direction | Axial              |

## Dimensions



## Output signals



## Pin configuration

| Function | Pin |
|----------|-----|
| S90      | A   |
| S00      | D   |
| +EV      | E   |
| 0V       | F   |

## Ordering information

Part number

533792-03