

- Robust $\varnothing 58$ mm encoder with solid shaft
- Short-circuited protected outputs
- IP67 at housing, IP66 at shaft inlet
- Extra robust electronics



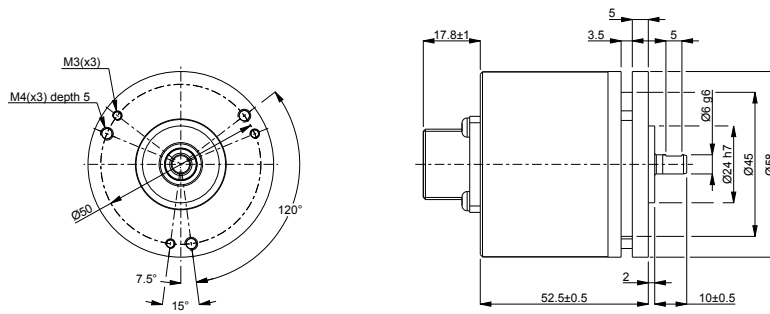
Technical data

| | |
|--------------------------------------|------------------------------|
| Operating temperature | -40 °C .. +70 °C |
| Ingress protection class [IEC 60529] | IP67 (IP66 at shaft inlet) |
| Vibration [IEC 60068-2-6] | ≤ 300 m/s ² |
| Shock [IEC 60068-2-27] | ≤ 2000 m/s ² |
| Cover material | Aluminium |
| Weight | 300 g |
| Shaft load (axial/radial) | 100 N / 120 N |
| Rotational speed max | 3000 rpm |
| Shaft material | Stainless steel |
| Short circuit protected | Yes |
| Polarity protected | Yes |
| Current consumption | 55 mA at 24 Vdc (Max. 80 mA) |
| Output load | ± 40 mA |
| Output frequency max | 200 kHz |
| Cable length max | 350 m at 100 kHz |
| Channel separation | 90° el $\pm 25^\circ$ el |
| Dividing error | $\pm 50^\circ$ el |

Encoder configuration

| | |
|----------------------|--------------------------------------|
| Type | RSI |
| Model | 501 Extra robust |
| Shaft type | $\varnothing 6$ mm with partial flat |
| Flange type | 51-flange |
| Resolution | 900 |
| Power supply | 9-36 Vdc |
| Output signal | HC-HTL |
| Connection type | M5 connector 6-pin |
| Connecting direction | Axial |

Dimensions



Output signals



Pin configuration

| Function | Pin |
|----------|-----|
| S90 | A |
| S00 | D |
| +EV | E |
| 0V | F |

Ordering information

Part number

530051-12