

- 58mm diameter
- Extremely robust design
- Shock and vibration protected
- Inductive scanning



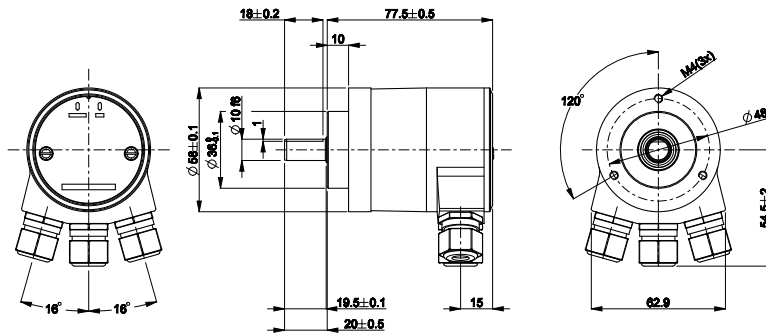
Technical data

Operating temperature	-40 °C .. +70 °C
Ingress protection class [IEC 60529]	IP67
Current consumption	90 mA at 24 Vdc
Vibration [IEC 60068-2-6]	≤ 300 m/s ²
Shock [IEC 60068-2-27]	≤ 2000 m/s ²
Cover material	Aluminium (anodized)
Weight	430 g
Shaft load (axial/radial)	100 / 125 N
Shaft material	Stainless steel
Rotational speed max	12000 rpm
Polarity protected	Yes

Encoder configuration

Type	ISA
Model	607 Singleturn
Shaft type	ø10mm shaft with face
Flange type	Clamping flange (61sp-type)
Resolution	13 bit singleturn
Power supply	9-36 Vdc
Output signal	CANopen
Connection type	Cable gland
Connecting direction	Radial

Dimensions



Output signals

Pin configuration

Function	Terminal
+E Volt	1 (+)
0 Volt	2 (-)
CAN_H	3 (H)
CAN_L	4 (L)
CAN_GND	5 (G)
CAN_GND	6 (G)
CAN_L	7 (L)
CAN_H	8 (H)

Ordering information

Part number

1112198-01