

- 58mm diameter
- Extremely robust design
- Shock and vibration protected
- Inductive scanning

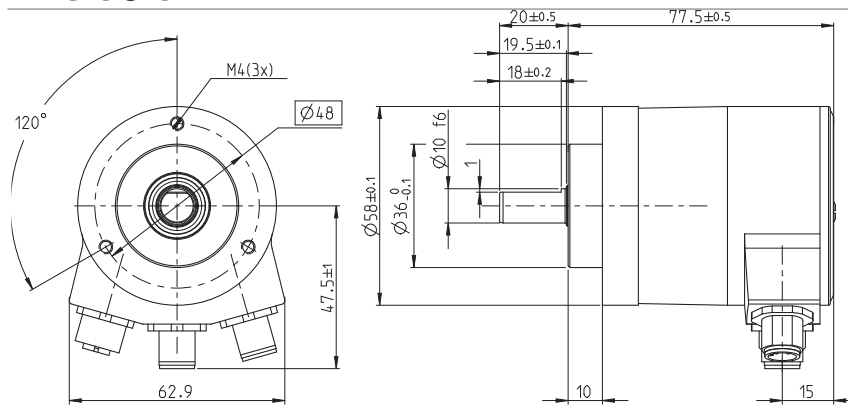


Technical data

| | |
|--------------------------------------|-------------------------|
| Operating temperature | -40 °C .. +70 °C |
| Ingress protection class [IEC 60529] | IP67 |
| Current consumption | 90 mA at 24 Vdc |
| Vibration [IEC 60068-2-6] | ≤ 300 m/s ² |
| Shock [IEC 60068-2-27] | ≤ 2000 m/s ² |
| Cover material | Aluminium (anodized) |
| Weight | 430 g |
| Shaft load (axial/radial) | 100 / 125 N |
| Shaft material | Stainless steel |
| Rotational speed max | 12000 rpm |
| Polarity protected | Yes |

Encoder configuration

| | |
|----------------------|-----------------------------|
| Type | ISA |
| Model | 607 Singleturn |
| Shaft type | ø10mm shaft with face |
| Flange type | Clamping flange (61sp-type) |
| Resolution | 13 bit singleturn |
| Power supply | 9-36 Vdc |
| Output signal | CANopen |
| Connection type | 3xM12 connectors |
| Connecting direction | Radial |

Dimensions**Output signals****Pin configuration**

| Function | Pin |
|-------------|-----|
| M12 Bus out | |
| CAN_SHIELD | 1 |
| CAN_GND | 3 |
| CAN_H | 4 |
| CAN_L | 5 |
| M12 Bus in | |
| CAN_SHIELD | 1 |
| CAN_GND | 3 |
| CAN_H | 4 |
| CAN_L | 5 |
| M12 Power | |
| +E Volt | 1 |
| 0 Volt | 3 |

Ordering information

Part number

1111749-01