

- 58mm diameter
- Extremely robust design
- Shock and vibration protected
- Inductive scanning

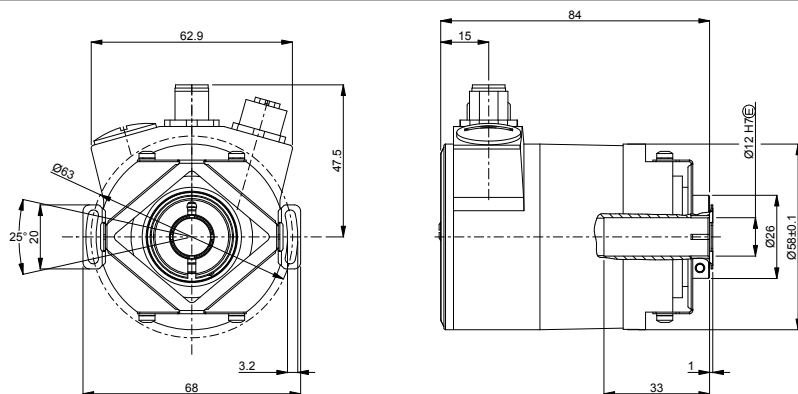


## Technical data

|                                      |                         |
|--------------------------------------|-------------------------|
| Operating temperature                | -40 °C .. +70 °C        |
| Ingress protection class [IEC 60529] | IP67                    |
| Current consumption                  | 90 mA at 24 Vdc         |
| Vibration [IEC 60068-2-6]            | ≤ 300 m/s <sup>2</sup>  |
| Shock [IEC 60068-2-27]               | ≤ 2000 m/s <sup>2</sup> |
| Cover material                       | Aluminium (anodized)    |
| Weight                               | 430 g                   |
| Shaft load (axial/radial)            | 100 / 140 N             |
| Shaft material                       | Stainless steel         |
| Rotational speed max                 | 12000 rpm               |
| Polarity protected                   | Yes                     |

## Encoder configuration

|                      |   |
|----------------------|---|
| Type                 | IHA   |
| Model                | 608 Multiturn                                 |
| Shaft type           | Ø12 mm blind hollow shaft                     |
| Flange type          | 58/59-flange with stator coupling             |
| Resolution           | 25 bit (13 bit singleturn + 12 bit multiturn) |
| Power supply         | 9-36 Vdc                                      |
| Output signal        | DeviceNet                                     |
| Connection type      | 2xM12 connectors                              |
| Connecting direction | Radial  |

**Dimensions****Output signals****Pin configuration**

| Function    | Pin |
|-------------|-----|
| M12 Bus out |     |
| CAN_SHIELD  | 1   |
| +E Volt     | 2   |
| 0 Volt      | 3   |
| CAN_H       | 4   |
| CAN_L       | 5   |
| M12 Bus in  |     |
| CAN_SHIELD  | 1   |
| +E Volt     | 2   |
| 0 Volt      | 3   |
| CAN_H       | 4   |
| CAN_L       | 5   |

**Ordering information**

Part number

1110835-01