

- Robust encoder in compact design
- Total build length 55 mm
- Through-going hollow shaft with insulated peek insert

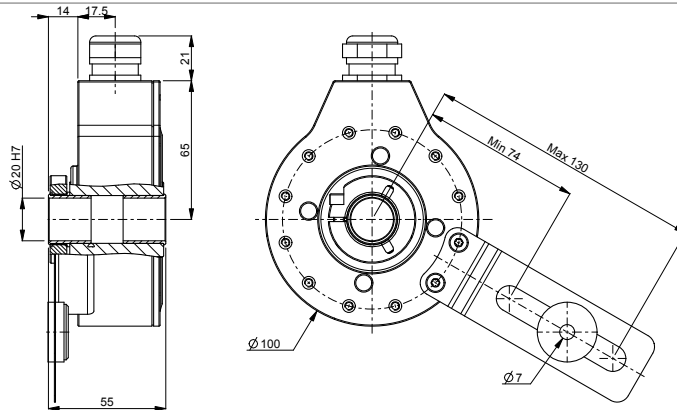


## Technical data

|                                      |  |
|--------------------------------------|--|
| Operating temperature                | -40 °C .. +85 °C                           |
| Ingress protection class [IEC 60529] | IP67 (IP66 at shaft inlet)                 |
| Vibration [IEC 60068-2-6]            | ≤ 200 m/s <sup>2</sup>                     |
| Shock [IEC 60068-2-27]               | ≤ 1500 m/s <sup>2</sup>                    |
| Cover material                       | Aluminium (anodized)                       |
| Weight                               | 1000 g                                     |
| Shaft load (axial/radial)            | 50 N / 100 N                               |
| Rotational speed max                 | 6000 rpm                                   |
| Shaft material                       | Stainless steel with insulated peek insert |
| Short circuit protected              | Yes  |
| Polarity protected                   | Yes  |
| Current consumption                  | 60 mA at 24 Vdc (Max. 80 mA)               |
| Output load                          | ± 40 mA                                    |
| Output frequency max                 | 200 kHz                                    |
| Cable length max                     | 350 m at 100 kHz                           |
| Channel separation                   | 90° el ± 25° el                            |
| Dividing error                       | ±50° el                                    |

## Encoder configuration

|                      |                                       |
|----------------------|---------------------------------------|
| Type                 | CHI                                   |
| Model                | 703                                   |
| Shaft type           | Ø20 mm through-going hollow shaft     |
| Flange type          | 87-flange                             |
| Resolution           | 600                                   |
| Power supply         | 9-30 Vdc                              |
| Output signal        | HC-HTL                                |
| Connection type      | Cable                                 |
| Connecting direction | Radial                                |
| Cable length         | 5.00 m                                |
| Torque support       | Tether arm with insulated peek insert |

**Dimensions****Output signals****Pin configuration**

| Function      | Colour |
|---------------|--------|
| S00           | Yellow |
| S00 inverted  | Black  |
| S90           | Green  |
| S90 inverted  | White  |
| Sref          | Brown  |
| Sref inverted | Violet |
| +E Volt       | Red    |
| 0V            | Blue   |
| Status        | Grey   |
| Chassis       | Shield |

**Ordering information**

Part number

1109701-01